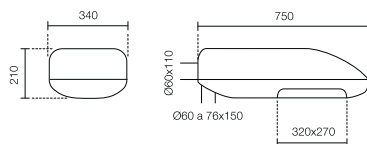


# SYRMA



**IP66 luminaire, modern design, suitable for all type of urban and road lighting.**

## Materials

- Body: die-cast aluminium
- Reflector: anodised aluminium
- Fastening: curved, tempered glass
- Latch system: bolt made of technical polymer

## Lamps

- HPS ovoid (50W to 250W) and tubular (50W to 400W)
  - IM ovoid (50W to 250W) and tubular (50W to 400W)
  - M ovoid (80W to 250W)
- Lampholder: E-40 and E-27  
Use HPS 70W lamps without built-in ignitor.  
Supplied without lamps.

## Gear

Gear plate easily removable. Compatible with HPS, MH and M lamps. For HPS-MH versions use MH lamps according to the intensity table (A), page 23  
Admits ceramic MH lamps.

## Installation

- Post top: Ø 60mm and 76mm, 150mm long, inclination 5°
- Lateral: Ø 60mm, 110mm long, inclination 0° and 5°

## Certificates

Luminaire included in the IAC list. (Astrophysical Institute of the Canary Islands)  
According to EN-60598-1 & 2-3

## Remarks

Adjustable lamp position: Horizontal and vertical  
It is possible to modify the inclination of the luminaire without tools.

## TECHNICAL SHEET

PROTECTION LEVEL	
IP	65 - gears recep. 66 - optical group
Class	⊕ or ⊞ IK09
REFLECTOR	
	road lighting E1
SPEC. TECHNICAL	
	230V-50Hz
	0,13 m <sup>2</sup>
	17 kg
	0,508
COLOURS	
	GY9006 -grey RAL 9006-
	GY9007 -grey RAL 9007-
	other colours: consult quantity and price
CERTIFICATES	

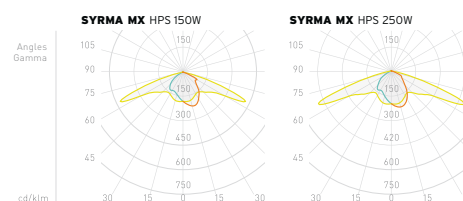


## CONFIGURATOR

FINISHING	—	—	—	POWER	CLASS	GEAR	REGULATION
GY9006				HPS-MH 50	CI	EM	1N
GY9007				HPS-MH 70*	CII	EL	2N+
				HPS-MH 100			2N-
				HPS-MH 150			without control line
				HPS-MH 250			
				HPS-MH 400			

\* Use HPS 70W lamps without built-in ignitor.

## PHOTOMETRICAL DATA



## CONFIGURATION TABLE

SYRMA	ci		cii	
	IN	2N	IN	2N
HPS-MH from 50W to 400W	•	•	•	•
HPS from 50W to 400W	•	•	•	•
MV from 80W to 250W	•	•	•	•

## BASIC PROGRAM REFERENCES

FINISHING	POWER	CLASS	GEAR	REG.	CODE	DESCRIPTION
GY9006	HPS-MH 50	CI	EM	1N	50-86719	SYRMA 1xST50 E27 P03F GY9006 GTB
GY9007	HPS-MH 50	CI	EM	1N	50-86720	SYRMA 1xST70 E27 P03F GY9007 GTB
GY9007	HPS-MH 70*	CI	EM	1N	50-86799	SYRMA 1xHT170 E27 P03F GY9007 GTB
GY9006	HPS-MH 100	CI	EM	1N	50-86789	SYRMA 1xST100 E40 P03F GY9006 GTB
GY9007	HPS-MH 100	CI	EM	1N	50-86705	SYRMA 1xST100 E40 P03F GY9007 GTB
GY9007	HPS 100	CI	EM	2N+	50-86711	SYRMA 1xST100 E40 P03F GY9007 GTB 2N
GY9006	HPS-MH 150	CI	EM	1N	50-86790	SYRMA 1xST150 E40 P03F GY9006 GTB
GY9007	HPS-MH 150	CI	EM	1N	50-86706	SYRMA 1xST150 E40 P03F GY9007 GTB
GY9006	HPS 150	CI	EM	2N+	50-86796	SYRMA 1xST150 E40 P03F GY9006 GTB 2N
GY9007	HPS 150	CI	EM	2N+	50-86712	SYRMA 1xST150 E40 P03F GY9007 GTB 2N
GY9006	HPS-MH 150	-	EL	1N	50-90082	SYRMA 1xST150 E40 RD GY9006 GTB PRIMA
GY9006	IM 150	-	EL	2N+	50-89828	SYRMA 1xHT150 E40 RD GY9006 GTB DINA
GY9006	HPS150	-	EL	2N+	50-90083	SYRMA 1xST150 E40 RD GY9007 GTB DINA
GY9006	IM 150	-	EL	2N-	50-90084	SYRMA 1xHT150 E40 RD GY9006 GTB DINA SLM
GY9006	HPS 150	-	EL	2N-	50-90085	SYRMA 1xST150 E40 RD GY9006 GTB DINA SLM
GY9006	IM 140	-	EL	1N	50-90086	SYRMA 1xHT140 P6212 RD GY9006 GTB COSMO
GY9006	HPS-MH 250	CI	EM	1N	50-86791	SYRMA 1xST250 E40 P03F GY9006 GTB
GY9007	HPS-MH 250	CI	EM	1N	50-86707	SYRMA 1xST250 E40 P03F GY9007 GTB
GY9006	HPS 250	CI	EM	2N+	50-86797	SYRMA 1xST250 E40 P03F GY9006 GTB 2N
GY9007	HPS250	CI	EM	2N+	50-86713	SYRMA 1xST250 E40 P03F GY9007 GTB 2N
GY9007	HPS-MH 150	CII	EM	1N	50-86834	SYRMA 1xST150 E40 P03F GY9007 GTB C2
GY9007	HPS 150	CII	EM	2N+	50-86842	SYRMA 1xST150 E40 P03F GY9007 GTB 2N C2
GY9007	HPS-MH 250	CII	EM	1N	50-86836	SYRMA 1xST250 E40 P03F GY9007 GTB C2

# STICK

LIGHT POINTS

100/200

Column up to 10m made of two stretches, with beautifying element designed for the luminaire SYRMA.

### Materials of the column

- Base: carbon steel sheet.
- Shaft: carbon steel sheet.
- Base plate: steel sheet with reinforcement.

### Finishing of the column

Base and shaft: galvanised through hot immersion and painted.

### Construction

Composed by base and shaft.

### Luminaire installation

Special hose with beautifying for the luminaire SYRMA (page 100).

### IP/IK

IP 3X.

To achieve IP44 it is necessary to use an internal IP44 connexion box (not supplied with the column)  
IK 10

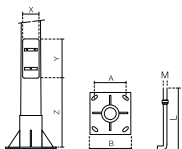
### Remarks

Supplied with ground bolts and plate mount.  
Luminaire not included.

### TECHNICAL SHEET

FINISHING	
<input checked="" type="checkbox"/>	galvanised and painted
COLOURS	
standard:	base: BS black forge shaft: GS grey forge
consulter:	special and RAL under demand
SHAFT	
	cylindrical-conical
TRAPDOOR	
	invisible and with reinforcement
CERTIFICATES	
	according to: <b>NORM EN 40-5</b>

TECHNICAL DATA		TRAPDOOR				FLANGE PLATE		BOLTS	
HEIGHT	Ø	X	Y	Z	A	B	Metric Length		
10.000	88	130	300	550	350	500	M24	800	

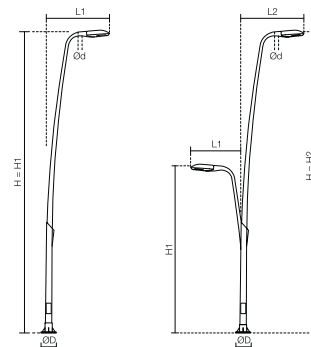


### STICK 100

H (mm)	Ød	ARM	ORIENT.	1st ARM			2nd ARM			CODE	DESCRIPTION
				H1	L1	ORI1	H2	L2	ORI2		
10.000	76	1	-	10000	2000	E	-	-	-	5-511032	STI 10 C d76 M24X800IEP1 1 10L1 1,65 E BS/GS

### STICK 200

H (mm)	Ød	ARM	ORIENT.	1st ARM			2nd ARM			CODE	DESCRIPTION
				H1	L1	ORI1	H2	L2	ORI2		
10.000	76	2	180°	5500	1800	E	10000	2000	E	5-510933	STI 10 C d76 M24X800IEP1 2 5L1 1,6 E 10L2 1,65 E 180° BS/GS



STICK 100  
Example of application with the luminaire SYRMA

STICK 200  
Example of application with the luminaire SYRMA