

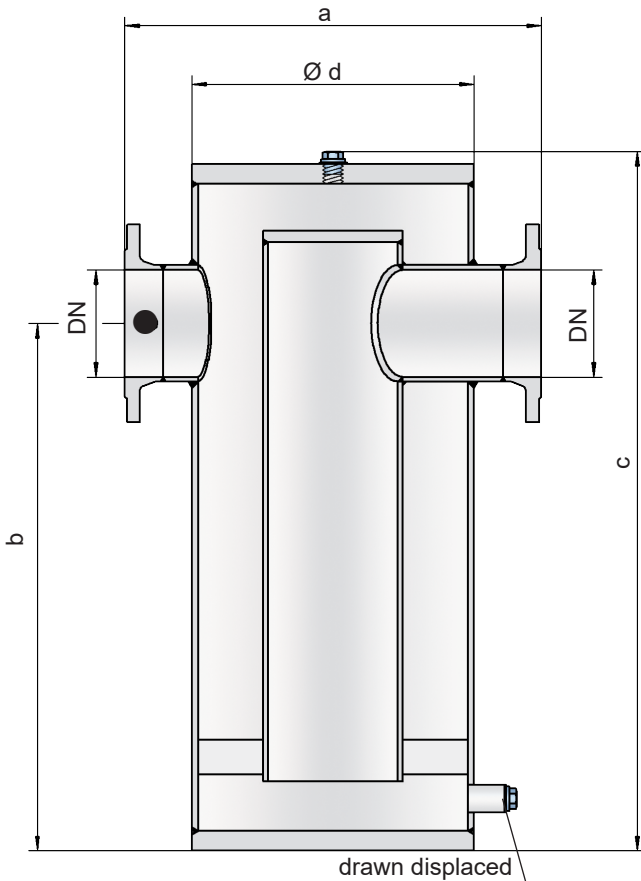
In-Line Liquid Detonation Flame Arrester

for filling lines - external installation

PROTEGO® LDA-W



LDA-W



● Tank connection / protected side

Function and Description

The PROTEGO® LDA-W liquid detonation flame arrester was developed for storage container filling lines that are not continuously filled with product and sometimes contain a combustible mixture. The device is installed outside the container in the filling line. If the explosive atmosphere is ignited, the device prevents the combustion from transferring into the tank. The PROTEGO® LDA-W series of liquid detonation flame arresters function according to the siphon principle in which the liquid product serves as a barrier against flame propagation.

When a highly accelerated pipe deflagration or detonation occurs, the combustion pressure and flame propagation speed are substantially reduced by the design and converted into a low-energy deflagration that is then stopped by the remaining immersion liquid.

The application range for the device is a product vapor / air mixture temperature of up to +60°C / 140°F and an absolute pressure of up to 1.1 bar / 15.9 psi. This covers all possible operating conditions of empty lines for flammable liquids. The liquid detonation arrester is designed for pressures of up to 10 bar / 145 psi, resists explosion pressure, and provides protection for almost all flammable liquids. The device is approved for explosion groups IIA to IIB3 (NEC group D to C MESH ≥ 0.65 mm). **Special designs with a cleaning cover for highly viscous and contaminated liquids are available.**

Type-approved in accordance with the current ATEX Directive and EN ISO 16852, as well as other international standards.

Special Features and Advantages

- easily accessible due to external installation
- low risk of contamination
- low pressure loss
- provides protection against deflagrations and stable detonations
- useable for nearly all flammable liquids
- meets TRbF* requirements
- can also be used as a dirt catcher in a maintenance friendly design

*TRbF = technical regulations for flammable liquids

Table 1: Dimensions

Dimensions in mm / inches

To select the nominal size (DN), please use the flow capacity chart on the following pages.

DN	25 1"	32 1 ¼"	40 1 ½"	50 2"	65 2 ½"	80 3"	100 4"	125 5"	150 6"	200 8"	250 10"	300 12"
a	250 / 9.84	275 / 10.83	350 / 13.78	350 / 13.78	450 / 17.72	450 / 17.72	500 / 19.69	600 / 23.62	600 / 23.62	700 / 27.56	850 / 33.46	1000 / 39.37
b	325 / 12.80	360 / 14.17	420 / 16.54	420 / 16.54	540 / 21.26	540 / 21.26	595 / 23.43	915 / 36.02	915 / 36.02	1100 / 43.31	1325 / 52.17	1480 / 58.27
c	445 / 17.52	480 / 18.90	565 / 22.24	565 / 22.24	720 / 28.35	720 / 28.35	800 / 31.50	1265 / 49.80	1265 / 49.80	1520 / 59.84	1830 / 72.05	2050 / 80.71
d	140 / 5.51	140 / 5.51	195 / 7.68	195 / 7.68	275 / 10.83	275 / 10.83	325 / 12.80	460 / 18.11	460 / 18.11	510 / 20.08	610 / 24.02	700 / 27.56

Table 2: Selection of the explosion group

MESG	Expl. Gr. (IEC/CEN)	Gas Group (NEC)	Special approvals upon request.
≥ 0,65 mm	IIB3	C	

Table 3: Specification of max. operating temperature

≤ 60°C / 140°F	Tmaximum allowable operating temperature in °C	Higher operating temperatures upon request.
-	Classification	

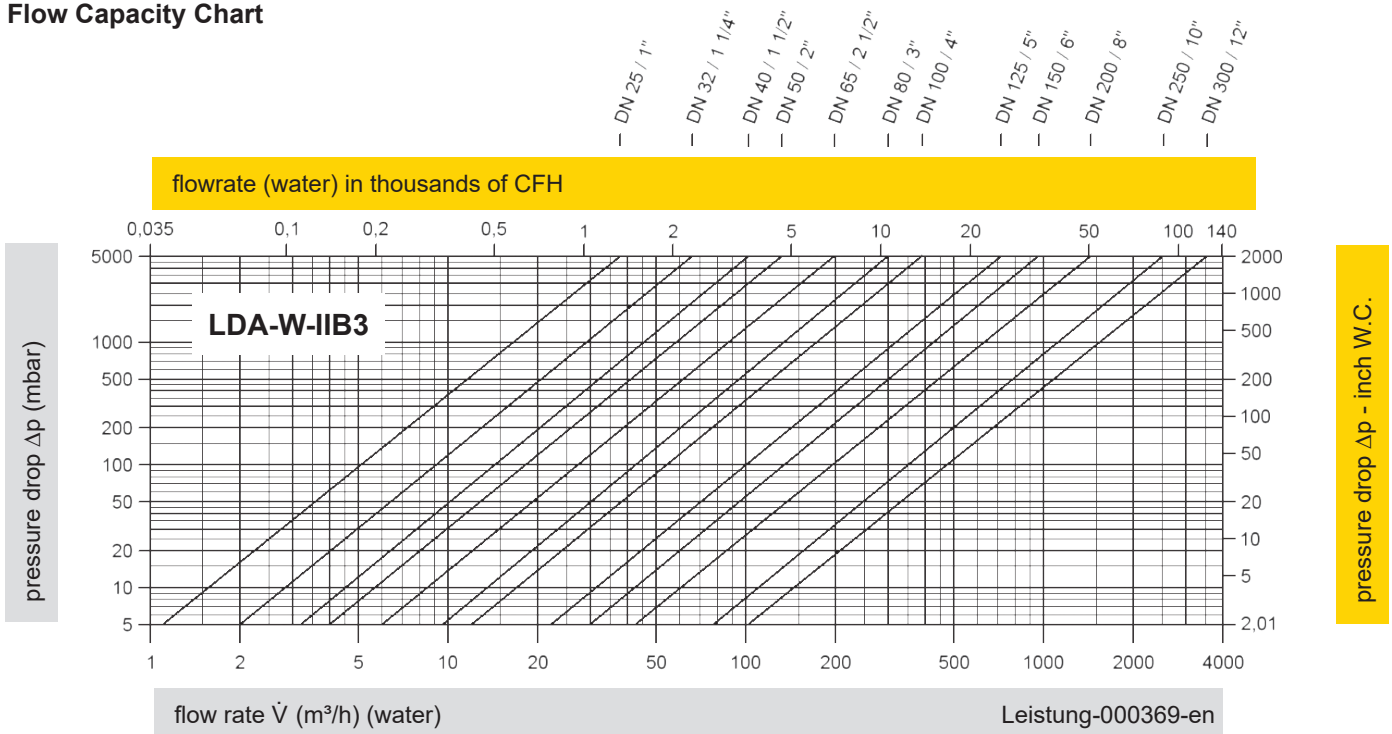
Table 4: Material selection for housing

Design	A	B	C	Special materials upon request.
Housing	Steel	Stainless Steel	Hastelloy	
Gasket	PTFE	PTFE	PTFE	

Table 5: Flange connection type

EN 1092-1; Form B1	Other types upon request.
ASME B16.5 CL 150 R.F.	

Flow Capacity Chart



Conversion: $\dot{V}_{water} = \dot{V}_{liquid} * \sqrt{\frac{\rho_{liquid}}{\rho_{water}}}$ $\dot{V}_{liquid} = \dot{V}_{water} * \sqrt{\frac{\rho_{water}}{\rho_{liquid}}}$

The volume flow \dot{V} in m³/h was determined with water, in accordance with DIN EN 60534, at a temperature $T_n = 15^\circ\text{C}$ and an atmospheric pressure $p_n = 1,013 \text{ bar}$, kinematic viscosity $\nu = 10^{-6} \text{ m}^2/\text{s}$.

To avoid electrostatic charge of flammable liquids, the maximum flow is limited (refer to TRGS 727, CENELEC-Report CLC/TR 60079-32-1).

