



Technical data

Ex-Control stations Type 414 81 | Type 414 82

Marking to 94/9/EC	Ⓔ II 2 G Ex ed ib m IIC T6 Ⓔ II 2 D Ex tD A21 IP66 T80 °C	
EC-Type Examination Certificate	PTB 00 ATEX 3117	
IECEX Certificate of conformity	IECEX BKI 04.0003	
Marking accd. to IECEx	Ex e II T6, Ex e ib IIC T6, Ec ed IIC T6 or Ex ed ib IIC T6	
Permissible ambient temperature	-20 °C to +40 °C -55 °C to +55 °C (option)	
Rated voltage	690 V AC (with control switch GHG 23 to 500 V)	
Rated current	16 A (with control switch GHG 23 max. 10 A)	
Rated making-/rated breaking capacity accd. EN 60947-5-1	Ex41 AC-15: U _e 250 V / I _e 6 A U _e 500 V / I _e 4 A DC-13: U _e 24 V / I _e 6 A U _e 220 V / I _e 1 A	Ex23 AC-15: U _e 230 V / I _e 6 A U _e 500 V / I _e 4 A DC-13: U _e 24 V / I _e 2 A U _e 230 V / I _e 0.5 A
Connecting terminals	with gold contact points max. 0.4 A 2 x 4 mm ²	
Insulation class	I	
Degree of protection accd. EN 60529	IP66 (standard)	
Cable glands/Gland plates/Enclosure drilling	1 x drilling Ø 21 mm for cable gland M20	
Enclosure material	Stainless steel AISI 316 L	

Type 414 81

Dimensions (L x W x H)	166 x 140 x 76 mm
Weight (empty)	1.40 kg

Type 414 82

Dimensions (L x W x H)	286 x 140 x 76 mm
Weight (empty)	2.10 kg

Type 414 81 with measuring instrument AM 72

Movement	Moving iron	Moving coil
Marking to 94/9/EC	Ⓔ II G Ex e II	Ⓔ II G Ex ib IIC
Accuracy	Class 2.5	Class 1.5
Overload range	10-fold -25 sec. 25-fold - 4 sec. 50-fold - 1 sec. indicated 1:1.5	10-fold -5 sec.
Measuring range	n / 1A 0 - 25 A direct	0 - 20 mA 4 - 20 mA
Inductance L _i	-	≤ 0.1 mH
Capacitance C _i	-	≤ 0.1 nF
Open circuit voltage U _i	-	30 V
Short circuit current I _i	-	150 mA
Connecting terminals	2 x 1.5 - 4 mm ²	
Weight	1.25 kg	

¹⁾ Base enclosure can be rotated afterwards (entry from top or down)
Other versions available on request



Type 414 82...03

Type 414 82...02

Type 414 82...01

Ordering details type 414 82 with 4 built-in components

Version*	Built-in components	Weight approx.	Order No.
<p>X1—⊗—X2</p>	<p>1 x signal lamp SIL 20-250 V AC/DC coloured lens cover: "white, red, green, yellow" 2 x pushbutton DRT 1 NO + 1 NC label: "0, I, START, STOP" 1 x mushroom-head pushbutton SGTE 1 NO + 1 NC "Emergency stop"</p>	2.80 kg	GHG 414 8200 R0001
<p>X1—⊗—X2</p> <p>X1—⊗—X2</p>	<p>2 x signal lamp SIL 20-250 V AC/DC coloured lens cover: "white, red, green, yellow" 2 x double pushbutton DDT 1 NO + 1 NC label: "0, I, START, STOP"</p>	2.80 kg	GHG 414 8200 R0002
<p>X1—⊗—X2</p>	<p>1 x signal lamp SIL 20-250 V AC/DC coloured lens cover: "white, red, green, yellow" 1 x double pushbutton DDT 1 NO + 1 NC label: "0, I, START, STOP" 1 x mushroom-head pushbutton SGTE 1 NO + 1 NC "Emergency stop" 1 x key-operated switch 2 NO SW 5 "engaging-engaging-engaging" label: "I 0 II"</p>	2.90 kg	GHG 414 8200 R0003

*Without external fixing lugs (see accessories page 9.30)

Ex-control stations



Type 414 81..

Ordering details type 414 81 with measuring AM72

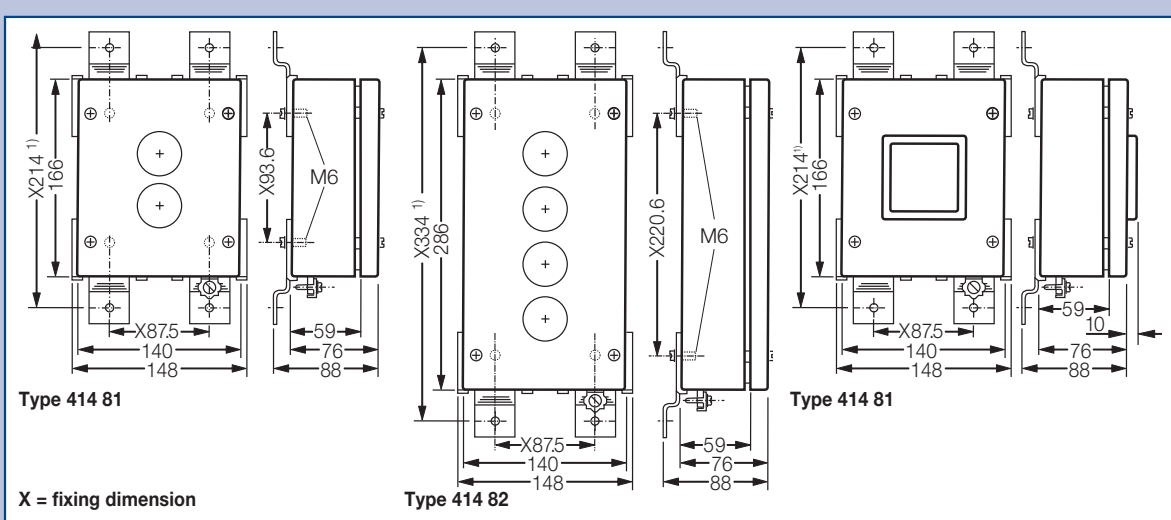
Version	Movement	Weight approx.	Order No.
Version direct measurement with 1 x threaded entry Ø 21 mm (without external fixing lugs)			
0 - 1 / 1.5 A	moving iron	1.25 kg	GHG 414 8181 R0002
0 - 2.5 / 3.75 A	moving iron	1.25 kg	GHG 414 8181 R0003
0 - 5 / 7.5 A	moving iron	1.25 kg	GHG 414 8181 R0004
0 - 10 / 15 A	moving iron	1.25 kg	GHG 414 8181 R0005
0 - 16 / 24 A	moving iron	1.25 kg	GHG 414 8181 R0007
0 - 20 / 24 mA 0-100% / 120% (Ri =320 Ω)	moving coil	1.35 kg	GHG 414 8181 R0033
4 - 20 / 24 mA 0-100% / 120% (Ri =320 Ω)	moving coil	1.35 kg	GHG 414 8181 R0035

Version CT connection n/1A with 1 x threaded entry Ø 21 mm (without external fixing lugs)			
0 - 1 / 1.5 A	moving iron	1.25 kg	GHG 414 8182 R0002
0 - 2.5 / 3.75 A	moving iron	1.25 kg	GHG 414 8182 R0003
0 - 5 / 7.5 A	moving iron	1.25 kg	GHG 414 8182 R0004
0 - 10 / 15 A	moving iron	1.25 kg	GHG 414 8182 R0005
0 - 15 / 22.5 A	moving iron	1.25 kg	GHG 414 8182 R0007
0 - 20 / 30 A	moving iron	1.25 kg	GHG 414 8182 R0008
0 - 30 / 45 A	moving iron	1.25 kg	GHG 414 8182 R0009
0 - 40 / 60 A	moving iron	1.25 kg	GHG 414 8182 R0010
0 - 50 / 75 A	moving iron	1.25 kg	GHG 414 8182 R0011
0 - 60 / 90 A	moving iron	1.25 kg	GHG 414 8182 R0012
0 - 75 / 112.5 A	moving iron	1.25 kg	GHG 414 8182 R0013
0 - 100/ 150 A	moving iron	1.25 kg	GHG 414 8182 R0014
0 - 100% / 150%	moving iron	1.25 kg	GHG 414 8182 R0033

Accessories

Type	Order No.
External fixing lugs (2 pcs)	GHG 610 1941 R0013

Dimension drawing



¹⁾ Scope of delivery without fixing lugs

Dimensions in mm