

## Ordering details

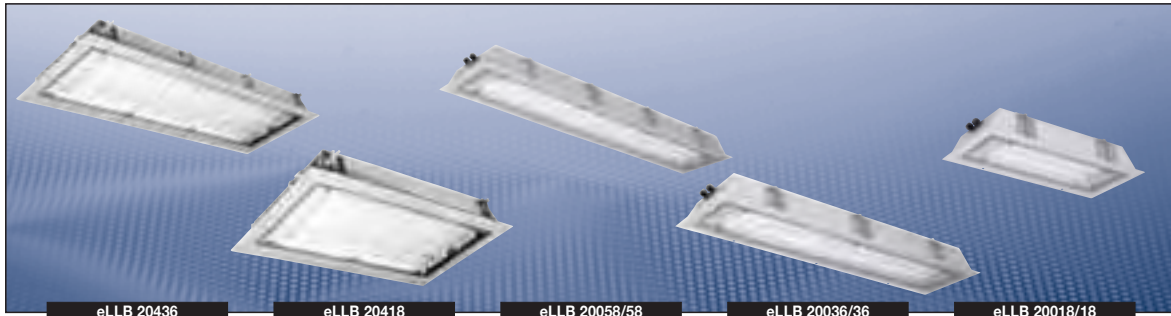
Type	Cable gland <sup>3)</sup>	Enclosure	Order No.
<b>Type eLLB 20018/18</b>			
eLLB 20018/18	M20M <sup>2)</sup>	stainless steel 316	<b>1 2190 218 111</b>
eLLB 20018/18	M20M <sup>2)</sup>	painted steel sheet	<b>1 2190 218 101</b>
eLLB 20018/18	M25K	stainless steel 316	<b>1 2190 218 011</b>
eLLB 20018/18	M25K	painted steel sheet	<b>1 2190 218 001</b>
eLLB 20018/18 CG-S <sup>1)</sup>	M20M <sup>2)</sup>	stainless steel 316	<b>1 2190 218 723</b>
eLLB 20018/18 CG-S <sup>1)</sup>	M20M <sup>2)</sup>	painted steel sheet	<b>1 2190 218 713</b>
eLLB 20018/18 CG-S <sup>1)</sup>	M25K	stainless steel 316	<b>1 2190 218 733</b>
eLLB 20018/18 CG-S <sup>1)</sup>	M25K	painted steel sheet	<b>1 2190 218 703</b>
<b>Type eLLB 20036/36</b>			
eLLB 20036/36	M20M <sup>2)</sup>	stainless steel 316	<b>1 2190 236 111</b>
eLLB 20036/36	M20M <sup>2)</sup>	painted steel sheet	<b>1 2190 236 101</b>
eLLB 20036/36	M25K	stainless steel 316	<b>1 2190 236 011</b>
eLLB 20036/36	M25K	painted steel sheet	<b>1 2190 236 001</b>
eLLB 20036/36 CG-S <sup>1)</sup>	M20M <sup>2)</sup>	stainless steel 316	<b>1 2190 236 723</b>
eLLB 20036/36 CG-S <sup>1)</sup>	M20M <sup>2)</sup>	painted steel sheet	<b>1 2190 236 713</b>
eLLB 20036/36 CG-S <sup>1)</sup>	M25K	stainless steel 316	<b>1 2190 236 733</b>
eLLB 20036/36 CG-S <sup>1)</sup>	M25K	painted steel sheet	<b>1 2190 236 703</b>
<b>Type eLLB 20058/58</b>			
eLLB 20058/58	M20M <sup>2)</sup>	stainless steel 316	<b>1 2190 258 111</b>
eLLB 20058/58	M20M <sup>2)</sup>	painted steel sheet	<b>1 2190 258 101</b>
eLLB 20058/58	M25K	stainless steel 316	<b>1 2190 258 011</b>
eLLB 20058/58	M25K	painted steel sheet	<b>1 2190 258 001</b>
eLLB 20058/58 CG-S <sup>1)</sup>	M20M <sup>2)</sup>	stainless steel 316	<b>1 2190 258 723</b>
eLLB 20058/58 CG-S <sup>1)</sup>	M20M <sup>2)</sup>	painted steel sheet	<b>1 2190 258 713</b>
eLLB 20058/58 CG-S <sup>1)</sup>	M25K	stainless steel 316	<b>1 2190 258 733</b>
eLLB 20058/58 CG-S <sup>1)</sup>	M25K	painted steel sheet	<b>1 2190 258 703</b>
<b>Type eLLB 20418</b>			
eLLB 20418	M20M <sup>2)</sup>	stainless steel 316	<b>1 2190 418 111</b>
eLLB 20418	M20M <sup>2)</sup>	painted steel sheet	<b>1 2190 418 101</b>
eLLB 20418	M25K	stainless steel 316	<b>1 2190 418 011</b>
eLLB 20418	M25K	painted steel sheet	<b>1 2190 418 001</b>
eLLB 20418 CG-S <sup>1)</sup>	M20M <sup>2)</sup>	stainless steel 316	<b>1 2190 418 723</b>
eLLB 20418 CG-S <sup>1)</sup>	M20M <sup>2)</sup>	painted steel sheet	<b>1 2190 418 713</b>
eLLB 20418 CG-S <sup>1)</sup>	M25K	stainless steel 316	<b>1 2190 418 733</b>
eLLB 20418 CG-S <sup>1)</sup>	M25K	painted steel sheet	<b>1 2190 418 703</b>
<b>Type eLLB 20436</b>			
eLLB 20436	M20M <sup>2)</sup>	stainless steel 316	<b>1 2190 436 111</b>
eLLB 20436	M20M <sup>2)</sup>	painted steel sheet	<b>1 2190 436 101</b>
eLLB 20436	M25K	stainless steel 316	<b>1 2190 436 011</b>
eLLB 20436	M25K	painted steel sheet	<b>1 2190 436 001</b>
eLLB 20436 CG-S <sup>1)</sup>	M20M <sup>2)</sup>	stainless steel 316	<b>1 2190 436 723</b>
eLLB 20436 CG-S <sup>1)</sup>	M20M <sup>2)</sup>	painted steel sheet	<b>1 2190 436 713</b>
eLLB 20436 CG-S <sup>1)</sup>	M25K	stainless steel 316	<b>1 2190 436 733</b>
eLLB 20436 CG-S <sup>1)</sup>	M25K	painted steel sheet	<b>1 2190 436 703</b>

<sup>1)</sup> CG-S: design single monitored emergency light fitting for use in CEAG emergency light supply unit

<sup>2)</sup> M: with metal thread, without cable gland

<sup>3)</sup> With dustcover if entry/thread is not closed

**Scope of delivery without lamp and fixing accessories.**



## Accessories

### Lamp for luminaire eLLB 20...

Type of lamp socket/ Diameter	Power	Luminous flux Light colour	Order No.
Bi-pin socket G13 T26/Ø 26 mm (T8) G13-60081-IEC-2220-1	18 W	1350 lm white	3 2475 900 001
Bi-pin socket G13 T26/Ø 26 mm (T8) G13-60081-IEC-2420-1	36 W	3350 lm white	3 2475 900 002
Bi-pin socket G13 T26/Ø 26 mm (T8) G13-60081-IEC-2520-1	58 W	5200 lm white	3 2475 900 003
Aura-Ultimate T26/Ø 26 mm (T8) Longlife G13-socket	18 W 36 W 58 W	1300 lm white 3350 lm white 5200 lm white	3 2475 900 087 3 2475 900 088 on request

### Fixing materials eLLB 20...

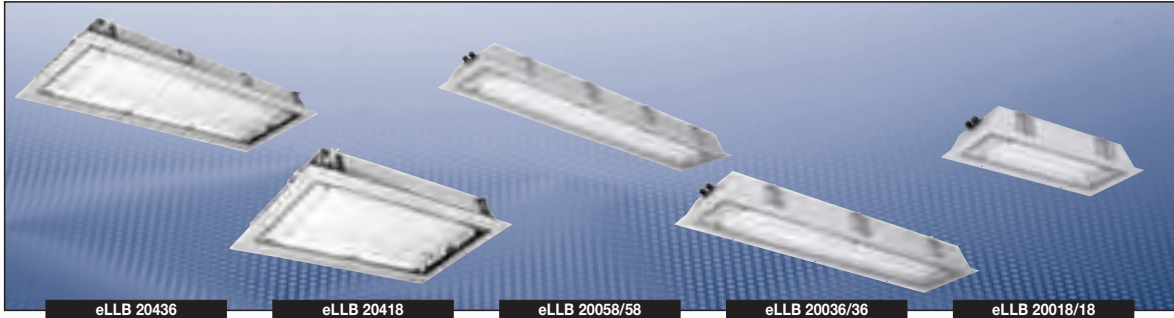
Type/code	Corrosion protection	Qty. per light fitting	Order No.
Eye bolt A2	galvanized	2	2 2480 002 000
Hexagon screw S4	stainless steel	2	2 2480 054 000
Ceiling mounting bracket D92 incl. screws and washer	stainless steel	2	2 2480 092 000

### Fixing materials eLLB 20...

Type/code	Corrosion protection	for pipes DIN	Outer Ø D (mm)	Qty. per light fitting	Order No.
Pipe clamp R12	hot galvanized	1 1/4"	38 - 42	2	2 2480 462 000
R14	CrNi	1 1/4"	38 - 42	2	2 2480 464 000
R22	hot galvanized	1 1/2"	47 - 51	2	2 2480 472 000
R24	CrNi	1 1/2"	47 - 51	2	2 2480 474 000
R32	hot galvanized	2"	56 - 60	2	2 2480 482 000
R34	CrNi	2"	56 - 60	2	2 2480 484 000
Luminaire wall suspension 30° incl. screws and washer	hot galvanized			2	2 2480 000 122

Metal cable glands M20/M25 see page 8.10.

Complete Mounting Systems see page 2.70 to 2.76.



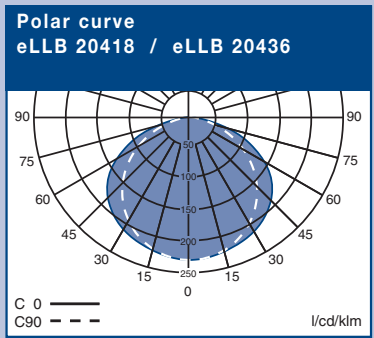
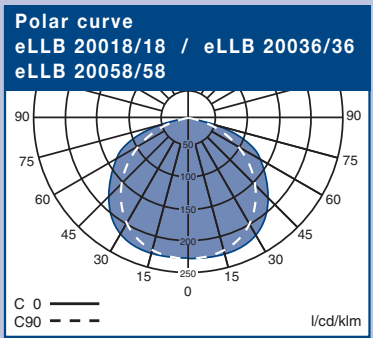
**Dimension drawing | Polar curve**

	A	B	C
<b>eLLB 20018/18</b>	802	400	862
<b>eLLB 20036/36</b>	1400	700	1460
<b>eLLB 20058/58</b>	1700	700	1760
<b>eLLB 20418</b>	802	400	862
<b>eLLB 20436</b>	1400	700	1460

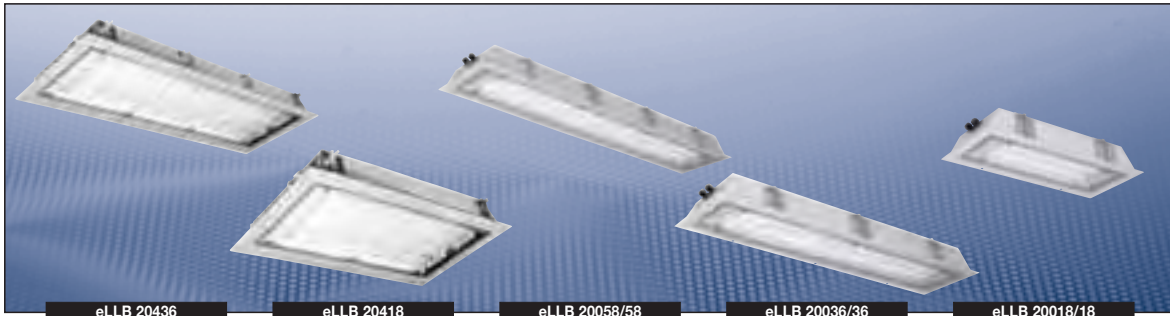
  

	A	B
<b>eLLB 20018/18</b>	315+3	832+5
<b>eLLB 20036/36</b>	315+3	1432+5
<b>eLLB 20058/58</b>	315+3	1732+5
<b>eLLB 20418</b>	465+3	832+5
<b>eLLB 20436</b>	465+3	1432+5

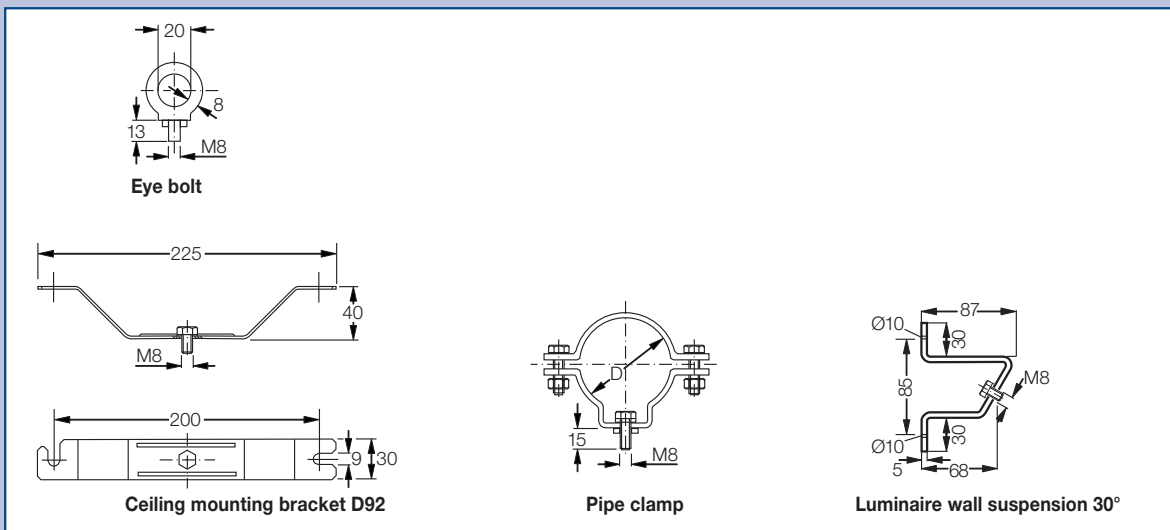
**eLLB 20018/18 / eLLB 20036/36 / eLLB 20058/58 / eLLB 20418 / eLLB 20436**



Dimensions in mm



**Dimension drawing**



Dimensions in mm

1  
2  
3  
4  
5  
6  
7  
8  
9  
10  
11  
12