

## Technical data

### Type C30 | Type C31

Marking to 94/9/EC	Ⓔ II 2 G Ex d IIC T6 / Ⓔ II 2 D IP67 T 85 °C
EC-Type Examination Certificate	LOM 02 ATEX 2037 X
IECEX Certificate of Conformity	IECEX BK1 07.0026
Marking accd. to IECEX	Ex d IIC T6 Ex tD A21 IP67 T85 °C
Permissible ambient temperature	-20 °C to +55 °C
Rated voltage	690 V
Rated current (max.)	C30: 40 A / C31: 61 A
Insulation class	I
Degree of protection accd. EN 60529	IP67
Enclosure material	light alloy
Enclosure colour	natural finish

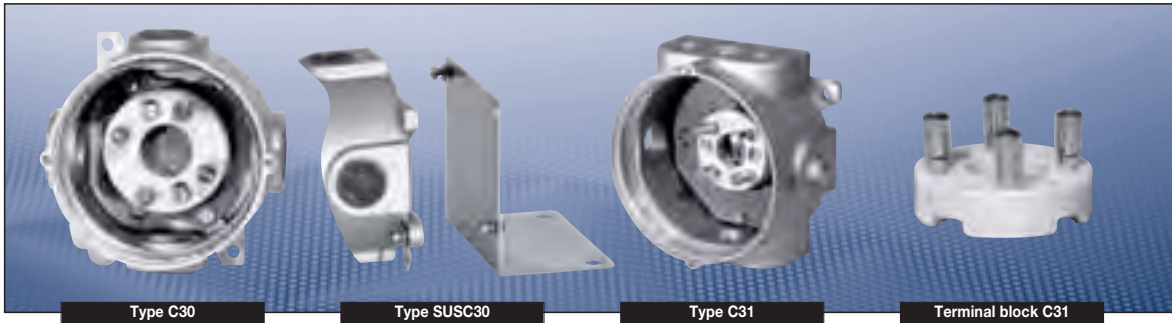
### Type C30

Connecting terminals	up to 6 mm <sup>2</sup>
Weight	approx. 0.8 kg (empty)
Max. number of drillings/cable glands	4
Terminal mounting space on the terminal rail	45 mm

### Type C31

Connecting terminals	up to 10 mm <sup>2</sup>
Weight	approx. 1.3 kg (empty)
Max. number of drillings/cable glands	8
Terminal mounting space on the terminal rail	82 mm

## Ex-d terminal box



## Ordering details

Type	Thread ISO 7/1 <sup>1)</sup>	Order No.
<b>Type C30</b>		
C30 T1	3 x 1/2"	NOR 000 001 151 181
C30 T2	3 x 3/4"	NOR 000 001 151 199
C30 X1	4 x 1/2"	NOR 000 001 151 206
C30 X2	4 x 3/4"	NOR 000 001 151 214
<b>Type C31</b>		
C31 T1	3 x 1/2"	NOR 000 111 150 001
C31 T2	3 x 3/4"	NOR 000 111 150 002
C31 T3	3 x 1"	NOR 000 111 150 003
C31 X1	4 x 1/2"	NOR 000 111 150 004
C31 X2	4 x 3/4"	NOR 000 111 150 005
C31 X3	4 x 1"	NOR 000 111 150 006

## Accessories

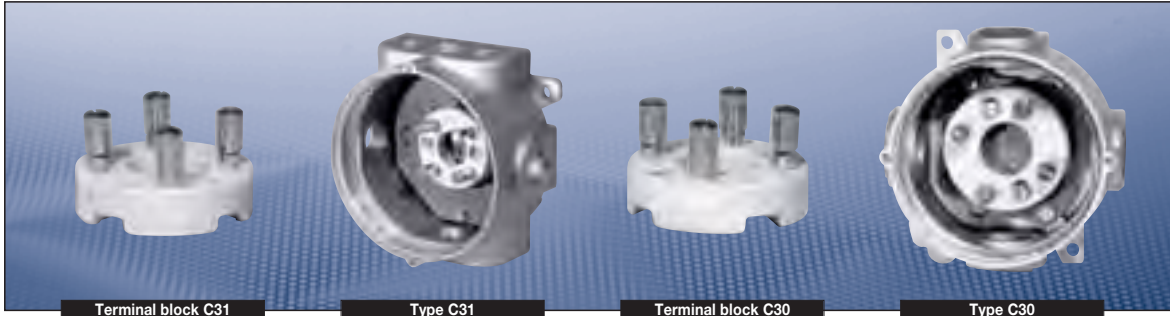
<b>Build-in components type C30</b>			
Type	Version	No. of terminals	Order No.
BC 30	Mounting plate with pillar terminals 4 x 4 mm <sup>2</sup>	4 x Ex-e <sup>2)</sup>	NOR 000 001 151 222
PBPD 30	Terminal rail DIN 46877	Mounting rail	NOR 000 000 115 314
PC 30	Mounting plate without terminals	-	NOR 000 000 115 302

<b>Mounting angel for housing fixing type C30</b>	
Type	Order No.
SUSC 30	NOR 000 000 115 311

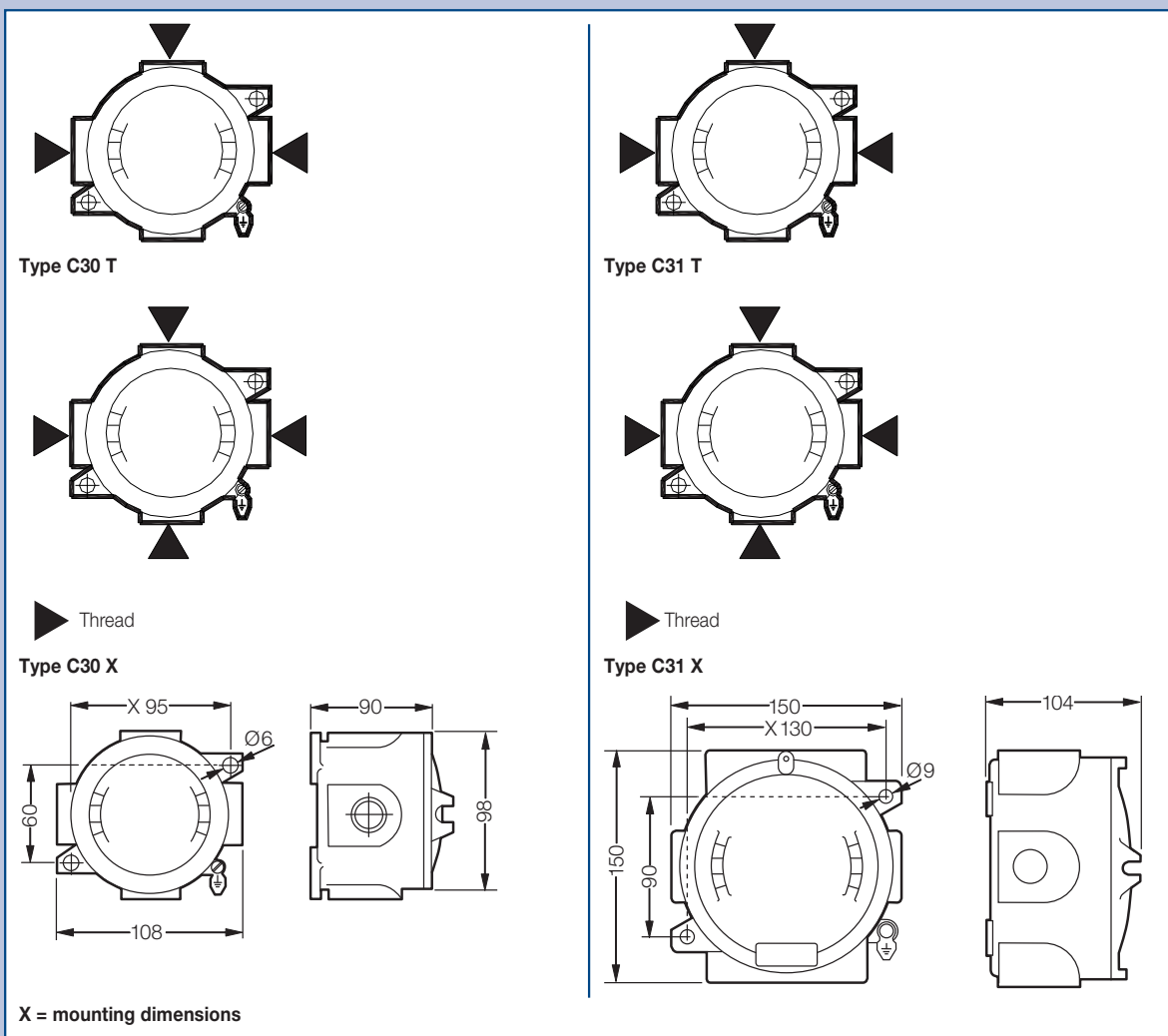
<b>Build-in components type C31</b>			
Type	Version	No. of terminals	Order No.
BC31	Mounting plate with pillar terminals	4 x 4 mm <sup>2</sup> <sup>2)</sup>	NOR 000 111 150 009
P C31	Mounting plate without terminals	-	NOR 000 000 115 306
PBPD 31	Terminal rail DIN 46877	-	NOR 000 000 115 015

<sup>1)</sup> Other threads on request

<sup>2)</sup> 4 x 4 mm<sup>2</sup> multi-wire or 2 x 6 mm<sup>2</sup> solid



Dimension drawing



Dimensions in mm