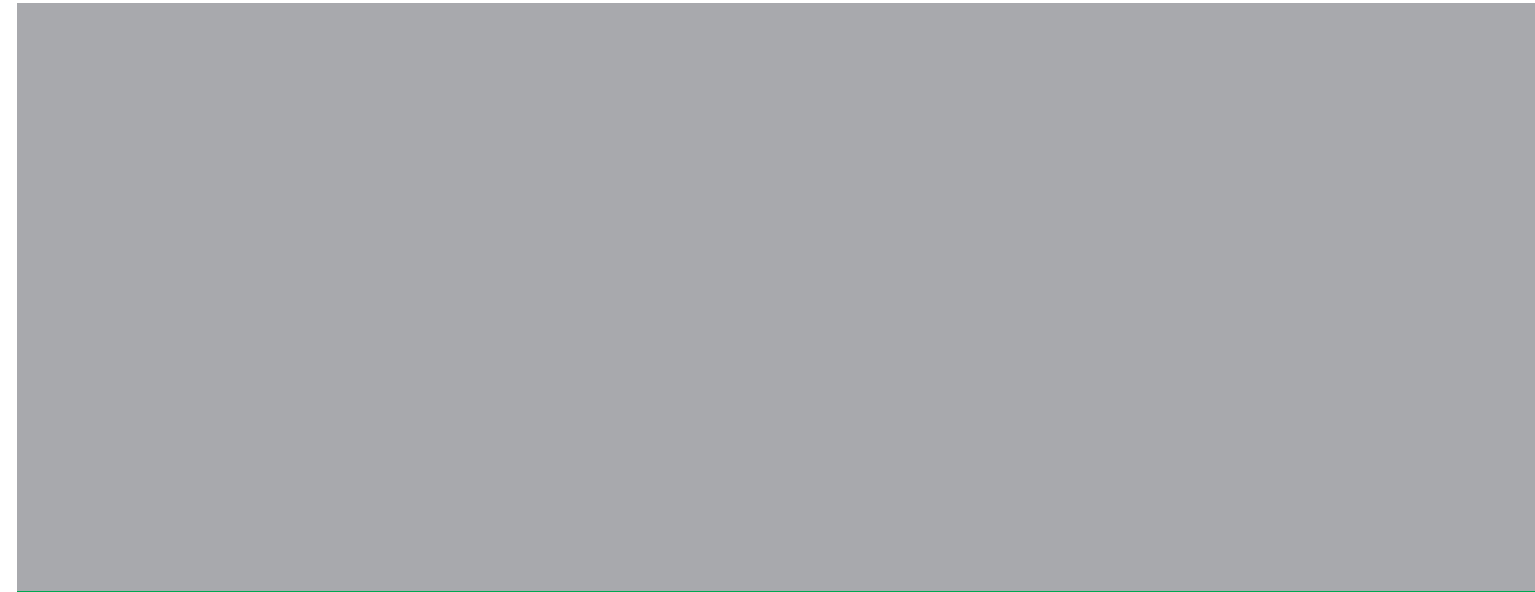




**Sirios™**

**Emergency Lighting**



**HEAD OFFICE**  
 Komvos Korinou, P.O. BOX 48  
 601 00 Katerini, Greece  
 Tel.: [+30] 23510 41200  
 Fax: [+30] 23510 42057  
 e-mail: information@univel.gr [information]  
 sales@univel.gr [sales]  
 techdep@univel.gr [technical support]

**ATHENS OFFICE**  
 Anapafseos 51 – 53 & Proteos, Vrilissia  
 152 35 Athens, Greece  
 Tel.: [+30] 210 8100200  
 Fax: [+30] 210 8100203  
 e-mail: sales.athens@univel.gr

[www.univel.gr](http://www.univel.gr)

Your Authorized Cooper Univel S.A. Distributor is:



Range	Order Code	Description	Lamp Type	Lamp nominal Output (lm)	Operation	Duration (minutes)	Mains Output (lm)	Emergency Output (lm)
multi	Non Maintained							
	O-S8	Emergency Light Sirios 8W 1h30	FL8WG5	450	N/M	90	-	85
	O-S8-3H	Emergency Light Sirios 8W 3h	FL8WG5	450	N/M	180	-	85
	O-S11	Emergency Light Sirios 11W 1h30	FL11W2G7	900	N/M	90	-	180
	O-S11-3H	Emergency Light Sirios 11W 3h	FL11W2G7	900	N/M	180	-	180
	O-S18	Emergency Light Sirios 18W 1h30	FL18W2G11	1200	N/M	90	-	268
	O-S18-3H	Emergency Light Sirios 18W 3h	FL18W2G11	1200	N/M	180	-	268
	O-S24	Emergency Light Sirios 24W 1h30	FL24W2G11	1850	N/M	90	-	330
	O-S24-3H	Emergency Light Sirios 24W 3h	FL24W2G11	1850	N/M	180	-	330
	Maintained							
	O-S8M	Emergency Light Sirios 8W 1h30	FL8WG5	450	M	90	200	85
	O-S8M-3H	Emergency Light Sirios 8W 3h	FL8WG5	450	M	180	200	85
	O-S11M	Emergency Light Sirios 11W 1h30	FL11W2G7	900	M	90	350	180
	O-S11M-3H	Emergency Light Sirios 11W 3h	FL11W2G7	900	M	180	350	180
	O-S18M	Emergency Light Sirios 18W 1h30	FL18W2G11	1200	M	90	500	268
O-S18M-3H	Emergency Light Sirios 18W 3h	FL18W2G11	1200	M	180	500	268	
O-S24M	Emergency Light Sirios 24W 1h30	FL24W2G11	1850	M	90	650	330	
O-S24M-3H	Emergency Light Sirios 24W 3h	FL24W2G11	1850	M	180	650	330	
Sustain								
O-S8S	Emergency Light Sirios 8W 1h30	2 x FL8WG5	450	SU	90	200	85	
O-S8S-3H	Emergency Light Sirios 8W 3h	2 x FL8WG5	450	SU	180	200	85	
Mains								
O-S8MAINS	Emergency Light Sirios 8W	FL8WG5	450	Mains	-	320	-	
O-S11MAINS	Emergency Light Sirios 11W	FL11W2G7	900	Mains	-	450	-	
O-S18MAINS	Emergency Light Sirios 18W	FL18W2G11	1200	Mains	-	500	-	
O-S24MAINS	Emergency Light Sirios 24W	FL24W2G11	1850	Mains	-	650	-	
ultra	Non Maintained							
	O-S8U	Emergency Light Sirios 8W 1h	FL8WG5	450	N/M	60	-	230
	O-S8U-PLUS	Emergency Light Sirios 8W 1h	FL8WG5	450	N/M	60	-	320
	O-S8U-3H	Emergency Light Sirios 8W 3h	FL8WG5	450	N/M	180	-	210
	O-S11U	Emergency Light Sirios 11W 1h	FL11W2G7	900	N/M	60	-	350
	Maintained							
	O-S8MU	Emergency Light Sirios 8W 1h	FL8WG5	450	M	60	320	230
	O-S8MU-PLUS	Emergency Light Sirios 8W 1h	FL8WG5	450	M	60	320	320
	O-S8MU-3H	Emergency Light Sirios 8W 3h	FL8WG5	450	M	180	320	210
	O-S11MU	Emergency Light Sirios 11W 1h	FL11W2G7	900	M	60	450	350
auto test	Non Maintained							
	O-S8-AT	Emergency Light Sirios 8W Autotest 1h	FL8WG5	450	N/M	60	-	200
	O-S8-AT-3H	Emergency Light Sirios 8W Autotest 3h	FL8WG5	450	N/M	180	-	100
	O-S11-AT	Emergency Light Sirios 11W Autotest 1h	FL11W2G7	900	N/M	60	-	220
	O-S11-AT-3H	Emergency Light Sirios 11W Autotest 3h	FL11W2G7	900	N/M	180	-	110
	O-S18-AT	Emergency Light Sirios 18W Autotest 1h	FL18W2G11	1200	N/M	60	-	230
	O-S18-AT-3H	Emergency Light Sirios 18W Autotest 3h	FL18W2G11	1200	N/M	180	-	120
	O-S24-AT	Emergency Light Sirios 24W Autotest 1h	FL24W2G11	1850	N/M	60	-	330
	O-S24-AT-3H	Emergency Light Sirios 24W Autotest 3h	FL24W2G11	1850	N/M	180	-	330
	Maintained							
	O-S8M-AT	Emergency Light Sirios 8W Autotest 1h	FL8WG5	450	M	60	320	200
	O-S8M-AT-3H	Emergency Light Sirios 8W Autotest 3h	FL8WG5	450	M	180	320	100
	O-S11M-AT	Emergency Light Sirios 11W Autotest 1h	FL11W2G7	900	M	60	450	220
	O-S11M-AT-3H	Emergency Light Sirios 11W Autotest 3h	FL11W2G7	900	M	180	450	110
	O-S18M-AT	Emergency Light Sirios 18W Autotest 1h	FL18W2G11	1200	M	60	500	230
O-S18M-AT-3H	Emergency Light Sirios 18W Autotest 3h	FL18W2G11	1200	M	180	500	120	
O-S24M-AT	Emergency Light Sirios 24W Autotest 1h	FL24W2G11	1850	M	60	650	330	
O-S24M-AT-3H	Emergency Light Sirios 24W Autotest 3h	FL24W2G11	1850	M	180	650	330	



# Sirios™



IP42/IP65

4 YEAR GUARANTEE

## Environmental Statement

Family of Emergency Lights for multi applications and installations  
 Easy mounting  
 Test functions  
 Complete range of accessories  
 Easy replaceable batteries  
 Certified family of emergency lights in accordance to EN 60 598-2-22  
 ENEC certificate  
 IP42 protection rate with the ability to upgrade it to IP65  
 Construction material: Plastic polycarbonate & ABS  
 4 years guarantee (not including lamp and batteries)

The new Family of Emergency lights of Sirios has a low profile, it is designed and equipped with technical solutions and accessories that make Sirios applicable to all installations. Sirios provides solutions for Emergency light requirements to applications as offices, restaurants, hotels, hospitals and general commercial applications.

All emergency lights of Sirios family have 4 years guarantee for proper operation.

A complete range of accessories as the recessed base for installation to wall and false ceiling, IP65 weatherproof kit, exit sign label as well as the various choices for lamps (8, 2x8, 11, 18, 24W) make Sirios Emergency lights a family of products appropriate for a variety of applications.



Low consumption in Maintained operation, with a power save of 33% of the nominal output of the lamp

Recyclable plastic parts

Recyclable paper box

Distance view of 30 meters provides the ability to use fewer products and less power consumption per coverage area of an application

Produced and developed in accordance with the European regulations and directives of ROHS & WEEE

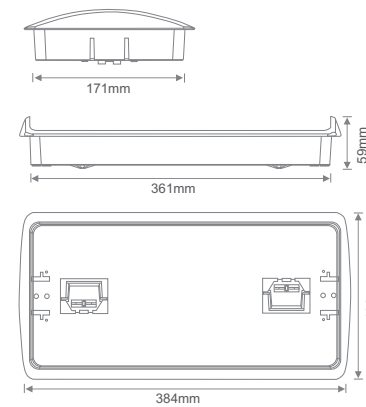


## Accessories

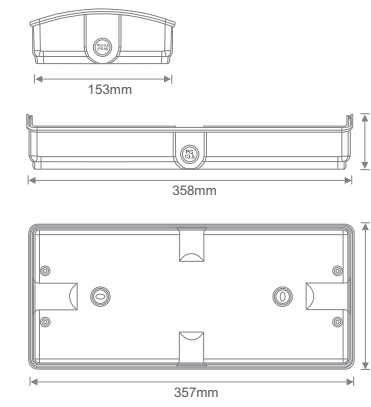


Order code	Description
O-S-RB	Sirios Recessed base
O-S-IP	Sirios IP65 kit
O-S-WB	Wall base for Sirios easy mounting

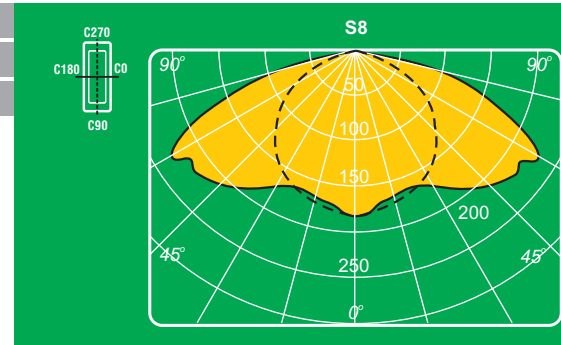
### Sirios Recessed base



### Sirios IP65 kit base



## Polar Diagram

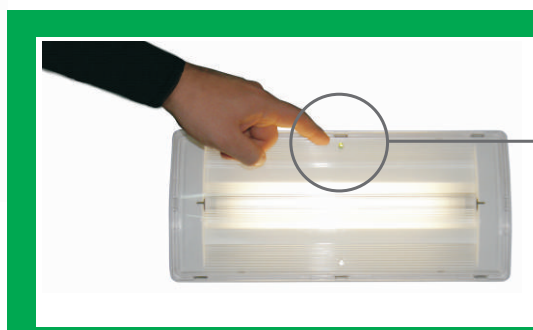


h	Distance for 1 Lux				Distance for 0,5 Lux			
	↔	↔	↔	↔	↔	↔	↔	↔
02.20	04.36	10.37	03.39	08.21	05.68	12.09	04.60	09.74
02.40	04.51	11.04	03.51	08.52	06.02	12.64	04.76	10.20
02.60	04.65	11.68	03.59	08.83	06.34	13.41	04.91	10.66
02.80	04.77	11.90	03.72	09.14	06.45	13.86	05.07	10.99
03.00	04.88	12.25	03.80	09.42	06.62	14.49	05.21	11.28
03.20	04.97	12.56	03.85	09.67	06.78	15.08	05.33	11.64
03.50	05.09	12.89	03.94	10.00	06.95	15.72	05.50	12.12
04.00	05.23	13.53	04.01	10.58	07.26	16.85	05.79	12.90

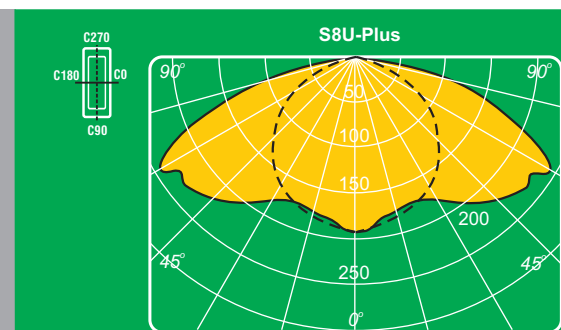
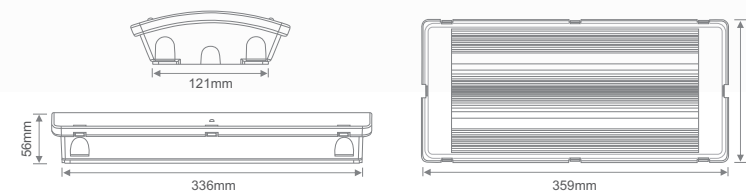
## Photometric Data

h	Distance for 1 Lux				Distance for 0,5 Lux			
	↔	↔	↔	↔	↔	↔	↔	↔
02.20	03.06	08.45	02.25	05.84	04.73	10.37	03.42	07.27
02.40	03.07	08.66	02.25	06.03	04.83	10.78	03.52	07.48
02.60	03.02	08.86	02.21	06.20	04.93	11.15	03.60	07.71
02.80	02.94	08.76	02.19	06.26	04.88	11.48	03.63	08.00
03.00	02.83	08.67	02.13	06.34	04.83	11.78	03.67	08.26
03.20	02.67	08.68	02.06	06.40	04.84	12.04	03.70	08.43
03.50	02.33	08.68	01.92	06.32	04.84	12.37	03.66	08.64
04.00	01.49	08.26	01.50	06.16	04.63	12.23	03.58	08.88

## Test point



All emergency lights of the Sirios family range have a test point on the LED charging indicator, where by pressing the diffuser of the light, the user can test the proper operation of the lamp.



h	Distance for 1 Lux				Distance for 0,5 Lux			
	↔	↔	↔	↔	↔	↔	↔	↔
02.20	05.18	12.09	03.66	08.75	06.54	14.39	04.87	10.37
02.40	05.39	12.84	03.81	09.10	06.92	15.04	05.05	10.78
02.60	05.58	13.55	03.91	09.46	07.27	15.82	05.23	11.31
02.80	05.74	13.86	04.00	09.82	07.43	16.26	05.41	11.79
03.00	05.89	14.49	04.13	10.15	07.74	16.94	05.57	12.30
03.20	06.04	15.00	04.25	10.44	08.00	17.58	05.72	12.56
03.50	06.26	15.50	04.32	10.78	08.25	18.33	05.89	13.17
04.00	06.30	16.40	04.49	11.43	08.70	19.80	06.21	13.86