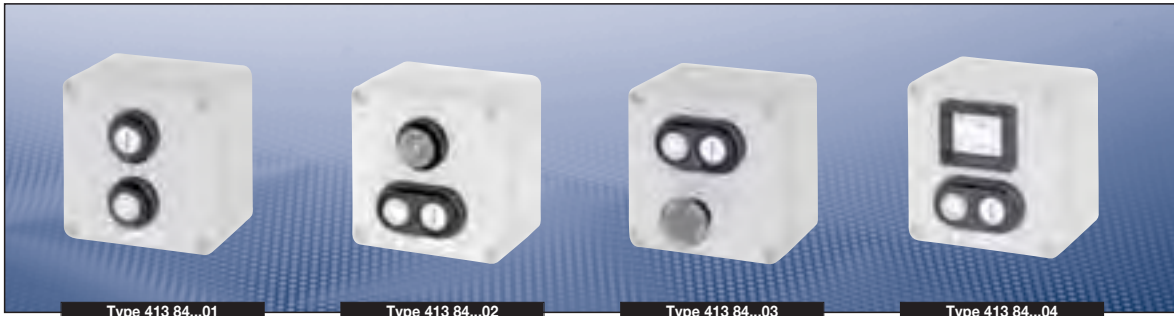


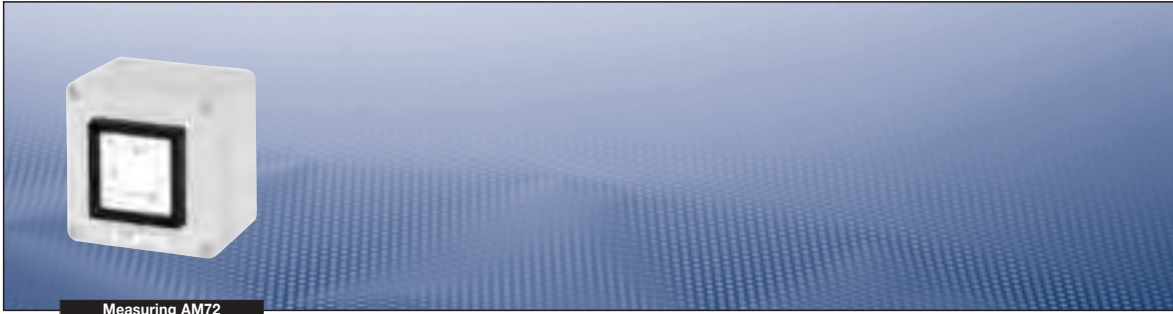
Ex-control stations



Ordering details type 413 84 with 2 built-in components

Version	Built-in components	Weight approx.	Order No.
	2 x pushbutton DRT 1 NO + 1 NC each label: "0, I, START, STOP"	1.25 kg	GHG 413 8400 R0001
	1 x signal lamp SIL 20-250 V AC/DC coloured lens cover: "white, red, green, yellow" 1 x double pushbutton DDT 1 NO + 1 NC label: "0, I, START, STOP"	1.30 kg	GHG 413 8400 R0002
	1 x double pushbutton DDT 1 NO + 1 NC label: "0, I, START, STOP" 1 x mushroom-head pushbutton SGTE 1 NO + 1 NC "Emergency stop"	1.30 kg	GHG 413 8400 R0003
	1 x measuring instrument AM45 CT connection n/1A Scale 0-100%/150% 1 x double pushbutton DDT 1 NO + 1 NC label: "0, I, START, STOP"	1.35 kg	GHG 413 8400 R0004

Ex-control stations



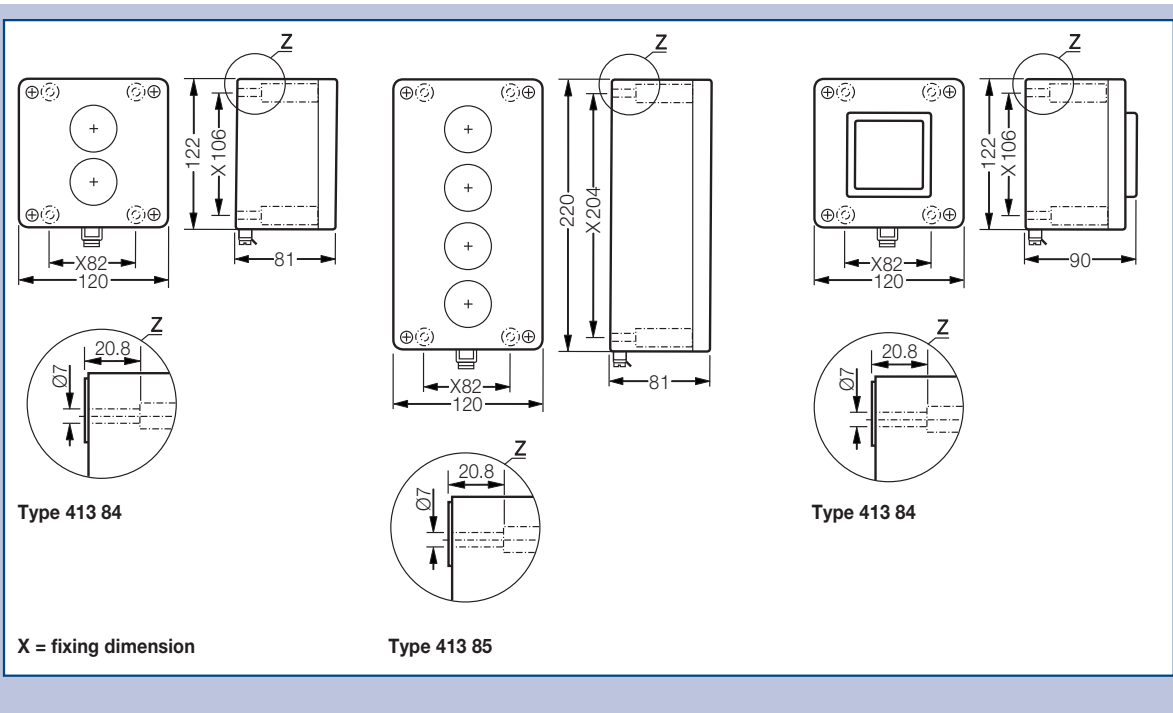
Measuring AM72

Ordering details type 413 84 with measuring instrument AM72

Version	Movement	Weight approx.	Order No.
Version direct measurement with 1 x threaded entry M20			
0 - 1 / 1.5 A	moving iron	1.25 kg	GHG 413 8481 R0002
0 - 2.5 / 3.75 A	moving iron	1.25 kg	GHG 413 8481 R0003
0 - 5 / 7.5 A	moving iron	1.25 kg	GHG 413 8481 R0004
0 - 10 / 15 A	moving iron	1.25 kg	GHG 413 8481 R0005
0 - 16 / 24 A	moving iron	1.25 kg	GHG 413 8481 R0007
0 - 20 / 24 mA 0-100% / 120% (Ri =320 Ω)	moving coil	1.35 kg	GHG 413 8481 R0033
4 - 20 / 24 mA 0-100% / 120% (Ri =320 Ω)	moving coil	1.35 kg	GHG 413 8481 R0035

Version CT connection n/1A with 1 x threaded entry M20			
0 - 1 / 1.5 A	moving iron	1.25 kg	GHG 413 8482 R0002
0 - 2.5 / 3.75 A	moving iron	1.25 kg	GHG 413 8482 R0003
0 - 5 / 7.5 A	moving iron	1.25 kg	GHG 413 8482 R0004
0 - 10 / 15 A	moving iron	1.25 kg	GHG 413 8482 R0005
0 - 15 / 22.5 A	moving iron	1.25 kg	GHG 413 8482 R0007
0 - 20 / 30 A	moving iron	1.25 kg	GHG 413 8482 R0008
0 - 30 / 45 A	moving iron	1.25 kg	GHG 413 8482 R0009
0 - 40 / 60 A	moving iron	1.25 kg	GHG 413 8482 R0010
0 - 50 / 75 A	moving iron	1.25 kg	GHG 413 8482 R0011
0 - 60 / 90 A	moving iron	1.25 kg	GHG 413 8482 R0012
0 - 75 / 112.5 A	moving iron	1.25 kg	GHG 413 8482 R0013
0 - 100 / 150 A	moving iron	1.25 kg	GHG 413 8482 R0014
0 - 100% / 150%	moving iron	1.25 kg	GHG 413 8482 R0033

Dimension drawing



Dimensions in mm