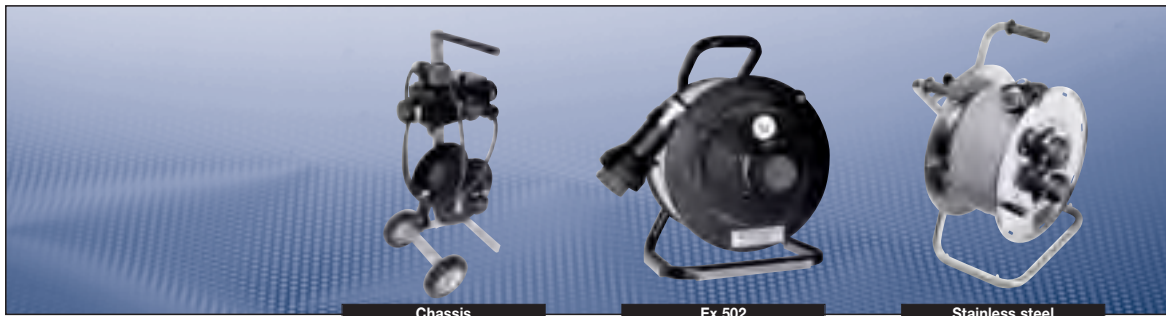


| Ex-Cable reel: 16A 3- and 5-pole, 32A 4- and 5-pole |



Technical data

	Stainless steel	Ex 502
Marking to 94/9/EC	Ⓔ II 2 G Ex ed IIC T6	Ⓔ II 2 G Ex ed IIC T6
EC-Type Examination Certificate	PTB 01 ATEX 1116	PTB 03 ATEX 1186
Permissible ambient temperature	-20 °C ... +55 °C ¹⁾	-20 °C ... +40 °C
Rated voltage	3-pole: 415 V 5-pole: 500 V (690 V to 5 h)	up to 690 V, dept. to version
Rated current	16 A/32 A	16 A
Frequency	50/60 Hz	50/60 Hz
Max. load		reeled: 3 x 2.5 mm ² max. 1000 W/230 V/ unreeled 3600 W/230 V reeled: 5 x 2.5 mm ² max. 4800 W/415 V/ unreeled 11000 W/415 V
External back up fuse	without thermal protection: 16 A with thermal protection: 25 A gL (rated current 16 A set to)	
Insulation class	I	II
Degree of protection accd. EN 60529	IP54	IP54
Weight	16 A with 20 m connecting cable approx. 22 - 30 kg design depending / 32 A with 20 m connecting cable approx. 28 - 50 kg design depending	approx. 13 kg depend on version
Enclosure material	Cable reel: enclosure stainless steel Plug and flange socket: polyamide	Cable reel: all rubber material Plug and flange socket: polyamide

¹⁾ extended temperature range on request

Ordering details

Design	Version	Order No.
Stainless steel 16 A design with 20 m connecting cable		
1 x Flange socket 16 A 3-pole		
1 x Flange socket 16 A 5-pole	5 x 2.5 mm ²	GHG 931 0003 R0031
3 x Flange socket 16 A 3-pole	3 x 2.5 mm ²	GHG 931 0003 R0032
2 x Flange socket 16 A 5-pole	5 x 2.5 mm ²	GHG 931 0003 R0033
Stainless steel 16 A design with 20 m connecting cable		
2 x Flange socket 32 A 4-pole	4 x 4 mm ²	GHG 931 0003 R0034
2 x Flange socket 32 A 5-pole	5 x 4 mm ²	GHG 931 0003 R0035
1 x Flange socket 16 A 5-pole		
1 x Flange socket 32 A 5-pole	5 x 4 mm ²	GHG 931 0003 R0036
All rubber type Ex 502		
502 Ex 200 - 250 V, 16 A 3-pole, 6 h (1P, N, PE)	50 m, 3 x 2.5 mm ²	GHG 931 0004 R0001
502 Ex 200 - 250 V, 16 A 3-pole, 6 h (1P, N, PE)	30 m, 3 x 2.5 mm ²	GHG 931 0005 R0001
502 Ex 380 - 415 V, 16 A, 5-pole, 6 h (3P, N, E)	30 m, 5 x 2.5 mm ²	GHG 931 0006 R0001
502 Ex 200 - 250 V, 16 A 3-pole, 6 h (1P, N, PE)	30 m, 3 x 2.5 mm ² with chassis	GHG 931 0008 R0001
502 Ex 380 - 415 V, 16 A, 5-pole, 6 h (3P, N, E)	30 m, 5 x 2.5 mm ² with chassis	GHG 931 0009 R0001
502 Ex 200 - 250 V, 16 A 3-pole, 6 h (1P, N, PE)	50 m, 3 x 2.5 mm ² with chassis	GHG 931 0010 R0001

Note: The cassis contains a rack for a portable distribution (page 6.130) which is not included in scope of delivery

1
2
3
4
5
6
7
8
9
10
11
12

Ex-Cable reel: 16A 3- and 5-pole, 32A 4- and 5-pole

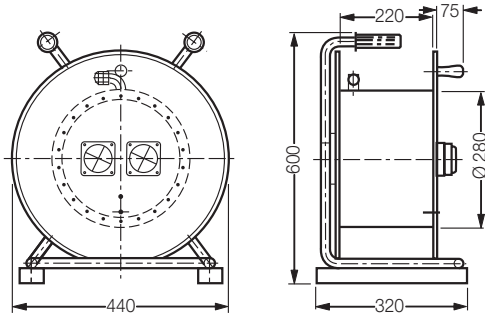


Stainless steel

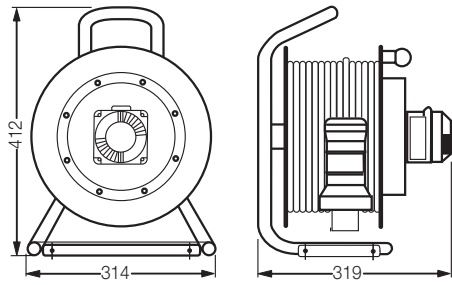
Ex 502

Chassis

Dimension drawing



Stainless steel



All rubber type 502

Dimensions in mm