

Safety Luminaire Recessed Ceiling Mounting

30011 CG-S, 31011 CG-S, 31011 T CG-S

DIN
4844

10
W

13
W



IP20

CG-S

- Safety luminaire for recessed ceiling mounting
- Enclosure made of sheet steel with mounting clips for clamping range 0-33 mm
- With polished aluminium reflector available for extremely wide light distribution or narrow beam distribution
- Shortened inspection effort due to CEWA GUARD technology
- Automatic function monitoring of up to 20 luminaires per circuit
- Reduced installation expenditure with STAR technology
- Freely programmable mixed operation of the switching modes per luminaire in one circuit



30011 CG-S



31011 CG-S



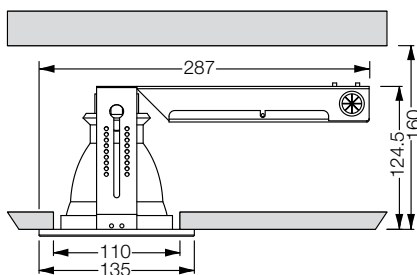
31011 T CG-S

| | |
|---|---|
| Luminous flux Φ_E/Φ_N at the end of rated operating time | 75 % |
| Housing material | Sheet steel |
| Weight | 0.8 kg (30011 CG-S) 0.9 kg (31011 CG-S) 1.0 kg (31011 T CG-S) |
| Housing colour | White, matt RAL 9016 |
| Type of mounting | Recessed ceiling mounting |
| Connection terminals | Loop terminals 3 x 2.5 mm ² |
| Connection voltage | 220 - 240 V, 50/60 Hz 176 V - 275 V DC |
| Current consumption with battery operation | TC-DEL 10 W / 13 W 35/50 mA |
| Power consumption mains operation | TC-DEL 10 W / 13 W 16/23 VA |
| Permissible ambient temperature | -10 °C to +40 °C |
| Light source | TC-DEL 10 W/600 lm for 31011 T CG-S as well TC-DEL 13 W/900 lm |

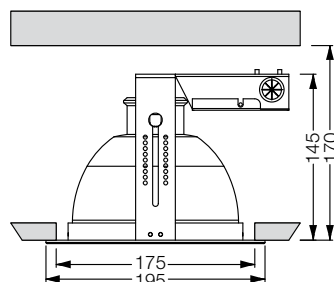
Ordering details

| Type | Scope of supply | Order No. |
|--------------|---|----------------|
| 30011 CG-S | Luminaire with CG-S (CEWA GUARD) monitoring, with 20-digit address switch, with wide light distribution for extended spacing, diameter 135 mm, without light source | 4 0071 352 260 |
| 31011 CG-S | Luminaire with CG-S (CEWA GUARD) monitoring, with 20-digit address switch, with extremely wide light distribution for extended spacing, diameter 195 mm, without light source | 4 0071 352 261 |
| 31011 T CG-S | Luminaire with CG-S (CEWA GUARD) monitoring, with 20-digit address switch, with narrow beam light distribution for extended mounting height, diameter 195 mm, without lamp | 4 0071 352 323 |

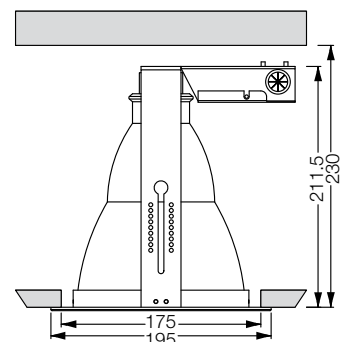
Dimensions in mm



30011 CG-S



31011 CG-S



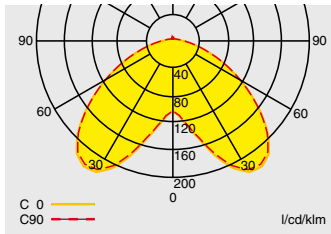
31011 T CG-S

Safety luminaire Recessed Ceiling Mounting

30011 CG-S, 31011 CG-S, 31011 T CG-S

Planning help for 30011 CG-S for E = 1.0 lx (0.5 lx)

Measuring level 0.02 m, maintenance factor MF = 80 %, battery operation, distances in m

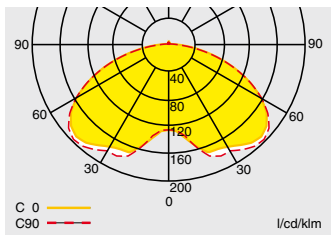


Light distribution curve
30011 CG-S with TC-DEL 10 W

| Mounting height (m) | Types of mounting | L1 | L2 | L3 | L4 |
|---------------------|---------------------|-----------|-------------|-----------|-------------|
| 2.5 | Ceiling mounting | 3.9 (4.7) | 9.4 (11.2) | 3.9 (4.7) | 9.4 (11.2) |
| 3.0 | Escape route centre | 4.3 (5.2) | 10.4 (12.4) | 4.3 (5.2) | 10.4 (12.4) |
| 4.0 | | 4.7 (5.9) | 11.8 (14.4) | 4.7 (5.9) | 11.8 (14.4) |
| 5.0 | | 5.0 (6.4) | 12.8 (15.8) | 5.0 (6.4) | 12.8 (15.8) |
| 6.0 | | 5.0 (6.8) | 13.6 (17.2) | 5.0 (6.8) | 13.6 (17.2) |
| 3.0 | Ceiling mounting | 3.4 (4.4) | 8.4 (10.0) | 3.4 (4.4) | 8.4 (10.0) |
| 4.0 | Room illumination | 3.4 (5.4) | 9.8 (11.6) | 3.4 (5.4) | 9.8 (11.6) |
| 5.0 | | 3.4 (5.4) | 10.8 (13.2) | 3.4 (5.4) | 10.8 (13.2) |
| 6.0 | | 3.9 (5.4) | 11.8 (14.4) | 3.9 (5.4) | 11.8 (14.4) |
| 7.0 | | 0.7 (5.4) | 12.4 (15.4) | 0.7 (5.4) | 12.4 (15.4) |

Planning help for 31011 CG-S for E = 1.0 lx (0.5 lx)

Measuring level 0.02 m, maintenance factor MF = 80 %, battery operation, distances in m

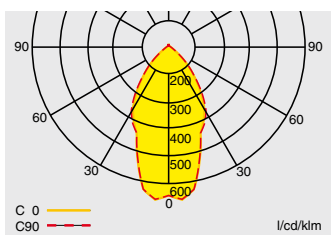


Light distribution curve
31011 CG-S with TC-DEL 10 W

| Mounting height (m) | Types of mounting | L1 | L2 | L3 | L4 |
|---------------------|---------------------|-----------|-------------|-----------|-------------|
| 2.5 | Ceiling mounting | 4.4 (5.4) | 10.8 (13.0) | 4.4 (5.4) | 10.8 (13.0) |
| 3.0 | Escape route centre | 4.7 (5.9) | 11.6 (14.2) | 4.7 (5.9) | 11.6 (14.2) |
| 4.0 | | 5.1 (6.6) | 13.0 (16.2) | 5.1 (6.6) | 13.0 (16.2) |
| 5.0 | | 5.1 (7.0) | 14.0 (17.8) | 5.1 (7.0) | 14.0 (17.8) |
| 6.0 | | 4.6 (7.2) | 14.4 (18.8) | 4.6 (7.2) | 14.4 (18.8) |
| 7.0 | | 3.3 (7.2) | 14.2 (19.6) | 3.3 (7.2) | 14.2 (19.6) |
| 3.0 | Ceiling mounting | 3.4 (4.4) | 10.0 (12.0) | 3.4 (4.4) | 10.0 (12.0) |
| 4.0 | Room illumination | 4.0 (5.4) | 11.4 (14.0) | 4.0 (5.4) | 11.4 (14.0) |
| 5.0 | | 4.0 (5.4) | 12.4 (15.4) | 4.0 (5.4) | 12.4 (15.4) |
| 6.0 | | 3.4 (5.4) | 13.2 (16.6) | 3.4 (5.4) | 13.2 (16.6) |
| 7.0 | | 0.7 (5.4) | 13.8 (17.6) | 0.7 (5.4) | 13.8 (17.6) |

Planning help for 31011 T CG-S for E = 1.0 lx (0.5 lx)

Measuring level 0.02 m, maintenance factor MF = 80 %, battery operation, distances in m



Light distribution curve
31011 T CG-S with TC-DEL 13 W

| Mounting height (m) | Types of mounting | L1 | L2 | L3 | L4 |
|---------------------|---------------------|-----------|-------------|-----------|-------------|
| 5.0 | Ceiling mounting | 4.8 (5.4) | 10.8 (11.8) | 4.8 (5.4) | 10.8 (11.8) |
| 7.0 | Escape route centre | 5.6 (6.7) | 13.4 (15.2) | 5.6 (6.7) | 13.4 (15.2) |
| 9.0 | | 6.1 (7.6) | 15.2 (18.0) | 6.1 (7.6) | 15.2 (18.0) |
| 11.0 | | 6.2 (8.2) | 16.4 (20.2) | 6.2 (8.2) | 16.4 (20.2) |
| 13.0 | | 5.5 (8.5) | 17.0 (21.6) | 5.5 (8.5) | 17.0 (21.6) |
| 15.0 | | 4.7 (8.6) | 17.2 (23.0) | 4.7 (8.6) | 17.2 (23.0) |
| 5.0 | Ceiling mounting | 3.4 (4.4) | 8.2 (8.8) | 3.4 (4.4) | 8.2 (8.8) |
| 7.0 | Room illumination | 4.4 (5.4) | 10.6 (11.6) | 4.4 (5.4) | 10.6 (11.6) |
| 9.0 | | 4.4 (5.4) | 12.6 (14.2) | 4.4 (5.4) | 12.6 (14.2) |
| 11.0 | | 4.4 (6.4) | 14.0 (16.4) | 4.4 (6.4) | 14.0 (16.4) |
| 13.0 | | 4.4 (6.5) | 15.0 (18.2) | 4.4 (6.5) | 15.0 (18.2) |
| 15.0 | | 3.4 (6.4) | 16.0 (19.6) | 3.4 (6.4) | 16.0 (19.6) |