

AB 05 LED: Explosion-protected bulkhead light fitting series with LED technology

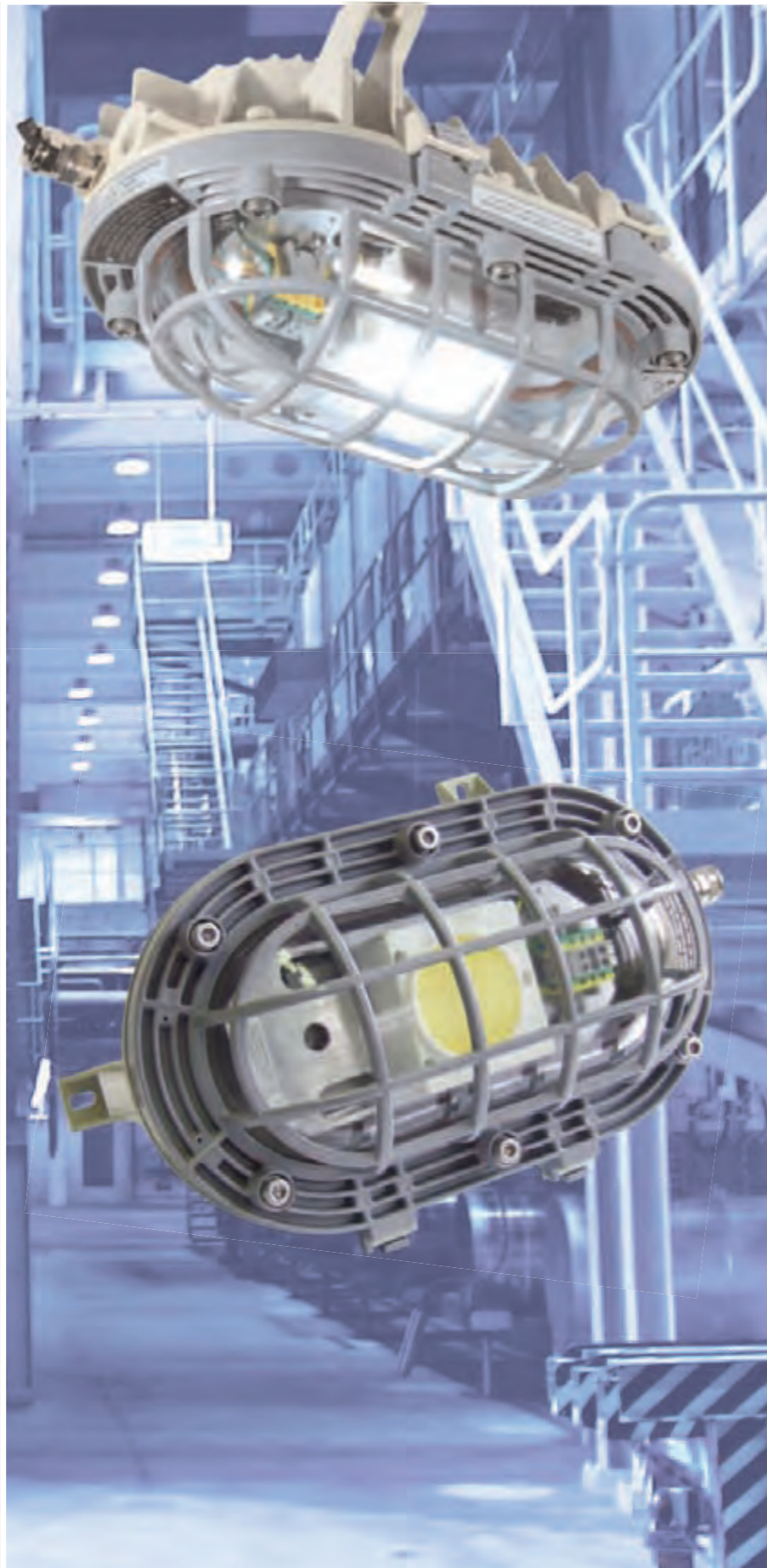
AB 05 LED

This explosion-protected bulkhead light fitting meets the requirements of the ATEX directive 94/9/EC and it has been designed and tested in accordance with the latest standards IEC/EN 60079... for use in explosive atmospheres due to gas in Zone 1 and Zone 2 and explosive atmospheres due to dust in Zone 21 and Zone 22.

The AB 05 LED is equipped with an energy-saving 32 W LED module and in addition to its high energy efficiency, its resistance to shock and vibration and its extremely long service life, it is also particularly well suited for applications in areas with low ambient temperatures. The enclosure is fitted with an impact and heat-resistant dome-shaped glass. All external screws are made of stainless steel.

Special features of this light fitting are the low weight and the easy installation. Due to the optimized light distribution for low and medium suspension heights, it is particularly well suited for the illumination of gangways, corridors, staircases and storage areas, as well as for use in areas where the available space is restricted.

- **Energy-efficient LED technology**
- **Long-living and cost-saving**
- **Shock and vibration-resistant**
- **Suited for use in ambient temperatures from -40 °C to +55 °C**
- **Environmentally friendly as mercury-free**
- **Robust light alloy enclosure with stainless steel screws**
- **Fulfils most stringent requirements with regard to corrosion protection and mechanical strength**



Technical Data Ex bulkhead light fitting AB 05 LED

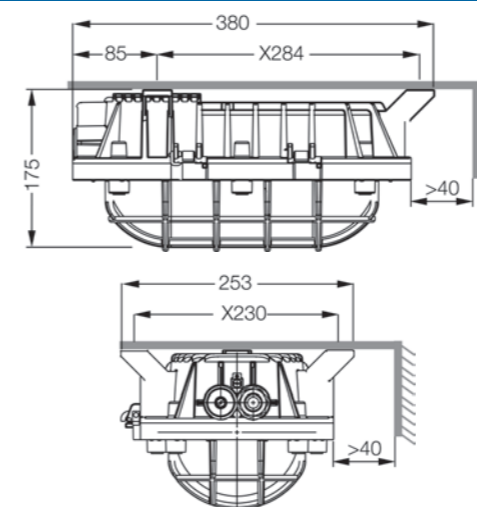
Marking to 94/9/EG	⊕ II 2 G Ex d IIB T6/T5 Gb / ⊕ II 2 D Ex tb IIIC T80 C/T100 C Db
EC-Type Examination Certificate	BVS 09 ATEX E 014 X
Permissible ambient temperature	-40 °C up to +55 °C
Rated voltage / frequency	230 V / 50 - 60 Hz
Connection terminals	L1, N: 1 x 4 mm ² , PE: 2 x 4 mm ²
Protection class	I
Lamp/illuminant	32 W LED module, white, rated luminous flux: 2000 lm, average lifetime > 50,000 h
Degree of protection to EN 60529	IP 66
Cable entries/flange plate/drillings	1 x M20/M25 x 1.5 / 2 x M20/25 x 1.5, 1 x sealed optional ¹⁾
Dimensions (L x B x H)	360 x 230 x 175 mm
Weight	7.0 kg
Mounting	Ceiling / wall
Enclosure material	Light alloy
Enclosure colour	Grey
Protective cover	Borosilicate glass
External potential equalization	2 x 6 mm ²

Ordering details

Type	Light source	Luminous flux	Thread	Order No.
AB 05 LED	32 W LED module	2.000 lm	1 x M 20 x1,5	AB 05 251 011 0301
AB 05 LED	32 W LED module	2.000 lm	1 x M 25 x1,5	AB 05 251 021 0301
AB 05 LED	32 W LED module	2.000 lm	2 x M 20 x1,5 / 1 x Ex-d blanking plug	AB 05 251 111 0301
AB 05 LED	32 W LED module	2.000 lm	2 x M 25 x1,5 / 1 x Ex-d blanking plug	AB 05 251 221 0301
AB 05 LED/eXLink ¹⁾	32 W LED module	2.000 lm	eXLink connector	AB 05 251 011 0302

1) eXLink connector and enclosed coupler with cage clamp terminals, max. 1.5 mm²

Dimension drawing



Polar curve AB 05 LED

