

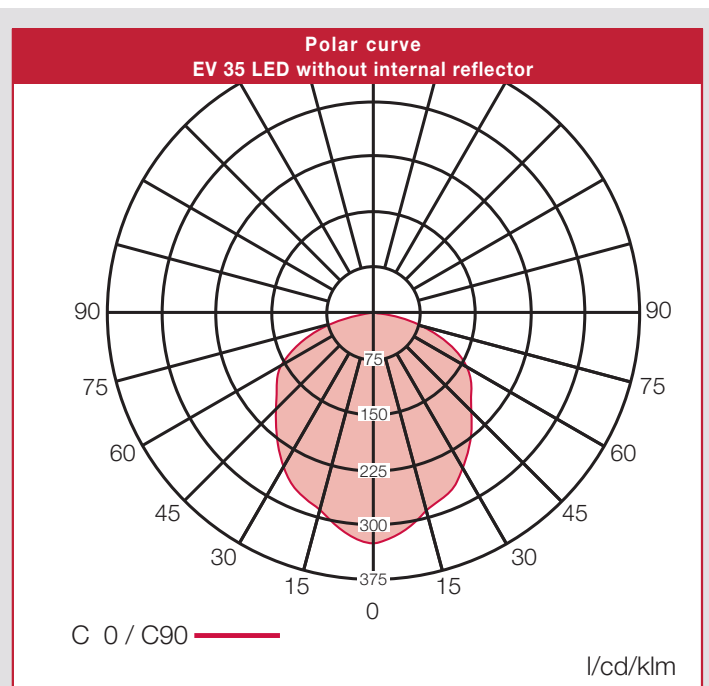
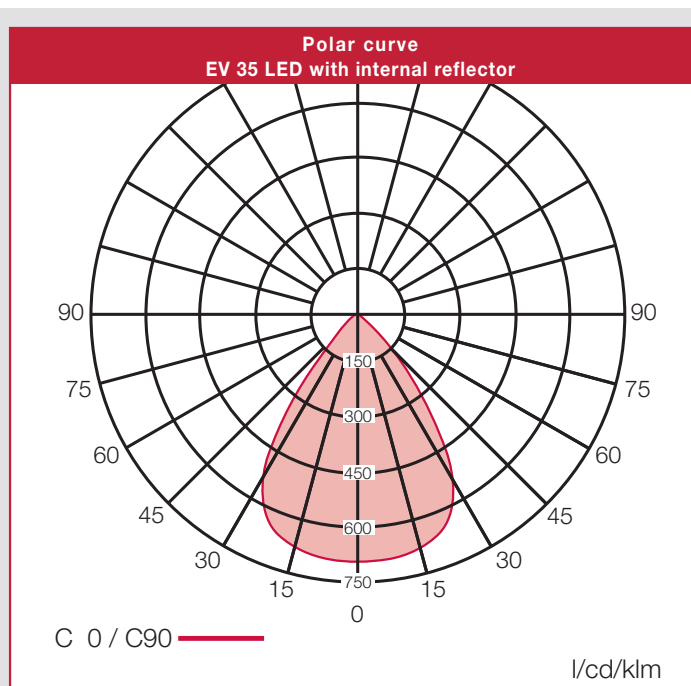


Technical data

Technical data Ex-pendant light fitting EV 35 LED

Marking to 94/9/EC	Ⓔ II 2 G Ex d/de IIC T6 Gb / Ⓔ II 2 D Ex t IIIC T85°C Db
Ex-Type Examination Certificate	LOM 10 ATEX 2075
Permissible ambient temperature	-40 °C up to +55 °C
Rated voltage	220 up to 240 V ± 10 % AC
Rated frequency	50 - 60 Hz
Circuit	Electronic LED drives
Terminals	L1, N and PE: 2 x 2.5 mm ² / PE ext. 2 x 6 mm ²
Protection class	I
Lamp/illuminant	32 W LED module, white, rated luminous flux: 2,000 lm, average lifetime > 50,000 h
Light efficiency	91 % / 80 % with reflector
Degree of protection to EN 60529	IP 66 (IP 67 optional)
Cable entries/flange plate/drillings	2 x M25 x 1.5 1 x plugged
Dimensions (L x W x D)	280 mm x Ø 245 mm (UD) / 400 mm x Ø 245 mm (XM)
Weight	See ordering details
Mounting	Ceiling/wall/pole
Housing material	Light alloy, copper free
Enclosure colour	Grey, powdercoated
Protective cover	Borosilicate glass
External equipotential bonding	2 x 6 mm ²

Polar curve | EV 35 LED



Ex-Pendant Light Fitting EV 35 LED



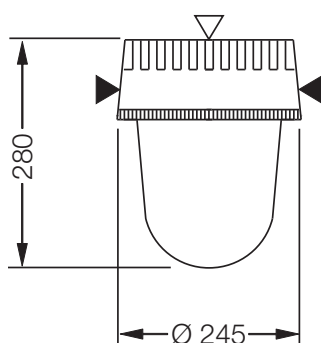
Ordering details

Type	Light source	Reflector	Luminous flux	Weight	Thread	Order-No.
EV 35 UD LED *)	32 W LED-module	no	2,000 lm	9.10 kg	2 x M 25 x 1.5 1 x plugged	NOR 000 115 110 600
EV 35 XM LED **)	32 W LED-module	no	2,000 lm	9.90 kg	2 x M 25 x 1.5 1 x plugged	NOR 000 115 110 605
EV 35 UD LED *)	32 W LED-module	internal, 35°	2,000 lm	9.25 kg	2 x M 25 x 1.5 1 x plugged	NOR 000 115 110 610
EV 35 XM LED **)	32 W LED-module	internal, 35°	2,000 lm	10.05 kg	2 x M 25 x 1.5 1 x plugged	NOR 000 115 110 630

*) Direct entry
 **) Indirect entry

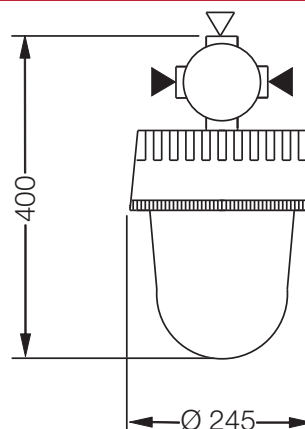
Dimension drawings | EV 35 LED

Dimension drawings
EV 35 LED



▷ optional entry, on request
 ▶ entry

EV 35 UD LED



▷ optional entry, on request
 ▶ entry

EV 35 XM LED



Accessories

EV 35 LED

Type	Content	Corrosion protection	Order-No.
REP 200	Spare glass		NOR 000 005 110 969
G.EV 200	Wire-guard	coated, white	NOR 000 005 110 860
SPU.EV	Wall mounting bracket	hot galvanized	NOR 000 005 110 951
SPEV	Wall mounting bracket (indirect entry)	hot galvanized	NOR 000 005 110 935
BC.EV	Pole mounting	hot galvanized	NOR 000 005 110 836
CEBV	Eye bolt	hot galvanized	NOR 000 005 110 852
AS.EV	Ceiling bracket, adjustable	hot galvanized	NOR 000 005 110 828
KEY.EV	Luminaire key		NOR 000 005 110 886

Dimension drawing | Mounting accessories

