

# Ex-Fire Alarm Switch

**Fire alarm switch for use in areas with explosive atmospheres for zone 1, 2, 21 and 22.**

**Flexible application thanks to a variety of different resistor modules**

- ▶ Housing of glass-fibre reinforced polyester
- ▶ All metal parts of V4A stainless steel
- ▶ IP 66 (IEC 529)
- ▶ VdS approval
- ▶ II 2 G Ex ed mb IIC T6, T5  
II 2 D Ex tD A21 IP66 T 100°C
- ▶ Colours red (yellow or blue special alarm)



## Application

The fire alarm devices of type 2014/2 are designed for manual triggering of alarms in hazardous areas. The type of protection allows the alarm to be operated in all Ex areas of the zones 1, 2 or 21 and 22.

## Design

The enclosure and the “increased safety” class of protection of the terminal room guarantee hazardous area protection.

For reasons of explosion protection the switch contact and the modules are gas tight embedded.

The housing is completely made of GRP.

This ensures the high level of corrosion protection as well as Class II and III.

No equipotential bonding necessary. Further design characteristics are profound ruggedness and minimum 8 mm thick walls.

## Fire alarm switch in an explosion-endangered area

This fire alarm switch is ideal for use wherever total reliability can save lives and prevent damage.

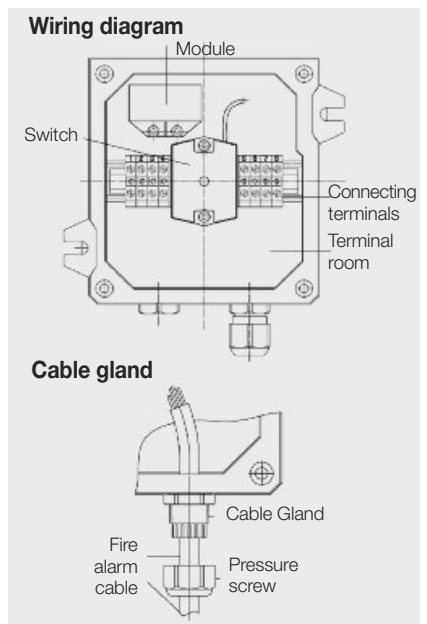
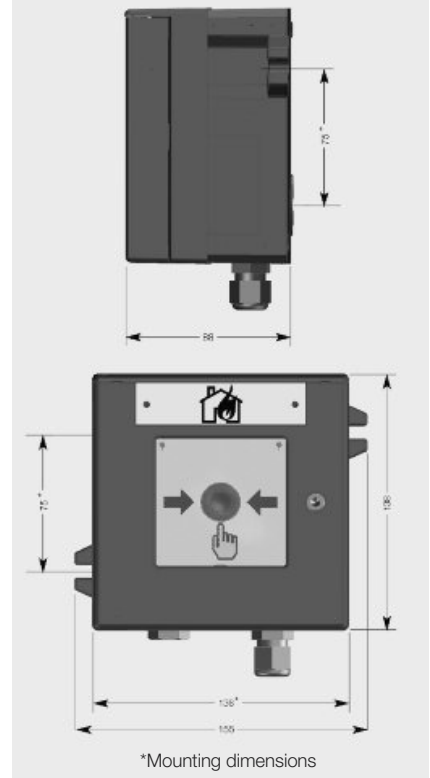


## Technical specifications

### Type 2014/2

Device name	Fire alarm Type B according to EN 54-11 or special alarm according to EN 12094 / EN 12094-1
Housing	Glass-fibre-reinforced polyester
Housing colour	Fire alarm: Red RAL 3000 Special alarm: Yellow or blue on request
Surface resistance	Electrostatically conductive
Cable gland	1x M16 x 1.5 with a cable clamping interval $\varnothing$ 4-8 mm, Ex e II
Blind plug	1x M16 x 1.5, EEx e II
Operating temperature	-55°C to +65°C (T6), -55°C to +85°C (T5)
Storage temperature	-60°C to +85°C
Switch contact	two-way-switch (embedded, II 2 G Ex d II C)
Switch reliable load	max. 5 A / 250 VAC 0.25 A / 250 VDC
Operating position	Wall mounting
Operating conditions	Indoors or outdoors
Connecting terminals	Up to 4 mm <sup>2</sup> fine-wired or multiwired
Dimensions	Approx. 136 x 138 x 88 mm
Weight	Approx. 1.8 kg
Expl. protection class	II and III (no bonding conductor necessary)
Protection degree	IP 66 (according to IEC 529/EN 60529)
Type of protection	Without module: II 2 G Ex ed IIC/IIA* T6, T5 With module: II 2 G Ex ed mb IIC/IIA* T6, T5 II 2 D Ex tD A21 IP66 T 100°C
PTB certificate No.	97 ATEX 3197
VDS approval No.	Fire alarm: G 297060 Special alarm: G 207146
BPR 89/106/EWG	Fire alarm: CE 0786-CPD-20367 Special alarm: CE 0786-CPD-20346

\* Special alarm, colour yellow



## Order information

\* Colour red,  
Colour yellow and blue on request

Type	Name	Resistors	Article no.
2014/2	Fire Alarm Switch	—	318 100 01*
2014/2	Fire Alarm Switch	3.3 K $\Omega$ (RE) / 680 $\Omega$ (R)	318 100 02*
2014/2	Fire Alarm Switch	3.9 K $\Omega$ (RE) / 820 $\Omega$ (R)	318 100 03*
2014/2	Fire Alarm Switch	3.9 K $\Omega$ (RE) / 2,2 K $\Omega$ (R)	318 100 04*
2014/2	Fire Alarm Switch	10 K $\Omega$ (RE) / 1 K $\Omega$ (R)	318 100 05*

Subject to change without notice · Printout 08/10