



# Signalling Hooter HGK

## Loud signalling device for damp rooms and outdoor mounting

- ▶ Die-cast aluminium housing with an impact-resistant thermoplastic (ABS) lid.
- ▶ Sound pressure level approx. 108 dB(A)
- ▶ Protection degree IP 65
- ▶ Continuous operation
- ▶ Various connection voltages

## Application

The signalling hooter HGK is used for indicating, calling and warning purposes. The rugged, sealed housing (protection degree IP 65) enables a wide array of applications, both in dry and damp rooms, as well as outdoors.

## Design

The device is driven by a powerful, non-polarized electromagnet with an adjustable tappet. Powered by alternating current, the tappet hits the membrane 100 to 120 times per second. The direct current version additionally disposes of an electronic circuit breaker. The housing consists of a lower part made of die-cast aluminium and an impact-resistant thermoplastic (ABS) lid. Both left and right, the hooter is equipped with 1x M20 x 1.5 cable gland and 1 blind plug M20 x 1.5.

The sound of the signal is dominated by deep frequencies, with the sound pressure level peaking at approx. 850 Hz. This makes it especially easy to discern the signal among the higher frequencies of ambient noise. The signalling hooter is available in various versions for all usual supply voltages.

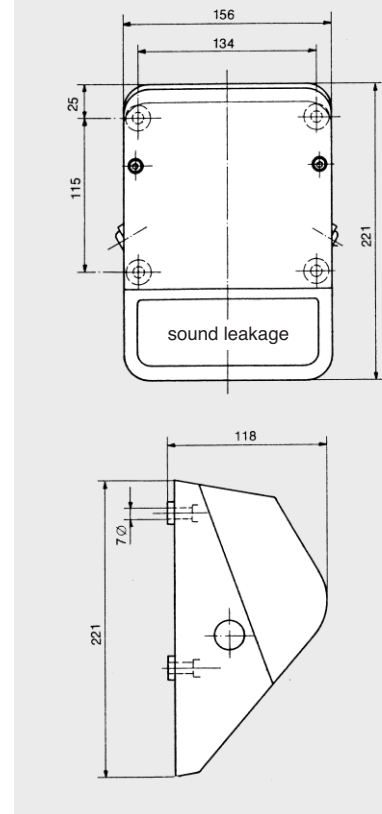
## Signalling hooter HGK as alarm signal in a power plant

The rugged, sealed housing (protection degree IP 65) enables a wide array of applications, both in dry and damp rooms.

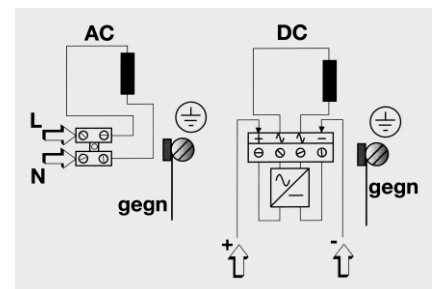


## Technical Data

Housing	Die-cast aluminium, with an impact resistant thermoplastic (ABS) lid.
Colour	Housing: dark grey, lid light grey
Protection degree	IP 65 (IEC 529)
Cable gland	1x M20 x 1.5 cable gland (Ø 8-12 mm) and 1 blind plug M20 x 1.5
Connecting terminals	For conductor cross section up to 1.5 mm <sup>2</sup>
Operating conditions	In dry or damp rooms, as well as outside
Operating mode	Continuous
Sound pressure	Approx. 108 dB(A) at 1m distance (Regarding information on sound pressure levels, please read the note under 'Technical Data'.)
Weight	Approx. 1.75 kg
Temperature range	-20°C to +60°C



### Wiring diagram



## Order information

Type	Name	Rated voltage Ue	Tolerance Ue	Current consumption	Art. no.
HGK	Signalling Hooter	230 VAC 50 Hz	+10/-15%	0.1 A	212 600 07
HGK	Signalling Hooter	24 VDC	+10/-15%	0.3 A	212 600 13

Subject to change without notice · Printout 12/09

