



ExII-Signalling Hooter mHG 11

**High volume sound device
for use in zone 1, 2, 21 and 22**

- ▶ Protection degree IP 66
- ▶ Volume approx 108 dB(A)
- ▶ Protection class I
- ▶ Explosion protection:
 - II 2 G Ex e mb II T5
 - II 2 G Ex e mb II T4
 - II 2 D Ex tD A21 IP66 T90°C
- ▶ Optional with connecting cable

Application

The signalling hooter mHG 11 was developed for warning, calling and indicating purposes in zone 1, 2, 21 and 22 environment.

The hooter produces a sound volume of approx. 108 dB(A) at 1 m distance. It can be delivered in most common voltages.

Optional with permanently installed connecting cable. This cable must be connected either outside of the hazardous area or in an EEx e or an Ex e terminal box.

Design

The driver system consists of a strong, non-pda rised electromagnet, whose striker hits the diaphragm between 100 and 120 times a second.

All DC versions are equipped with an electronic contact breaker.

Acoustic Signalling Device for zone 1, 2, 21 and 22

The signalling hooter mHG 11 was developed for warning purposes in zone 1, 2, 21 and 22 environment



Technical specifications

Material	Aluminium die-cast, weatherproof varnished
Cable cross section	up to 2,5 mm ²
Cable gland	M20 x 1,5
Type of protection	T4 II 2 G Ex emb II T4 -55°C ≤ Ta ≤ +70°C T5 II 2 G Ex emb II T5 -55°C ≤ Ta ≤ +50°C II 2 G Ex emb II T5 -55°C ≤ Ta ≤ +60°C II 2 D Ex tD A21 IP66 T90°C

Temperature range T4

AC / DC Version -55°C up to +70°C

Temperature range T5

DC-version -55°C up to +60°C

AC-version -55°C up to +50°C

Storage temperature -60°C up to +80°C

Operating utilization Sound outlet position downwards

Operating mode Duty cycle ED 75%

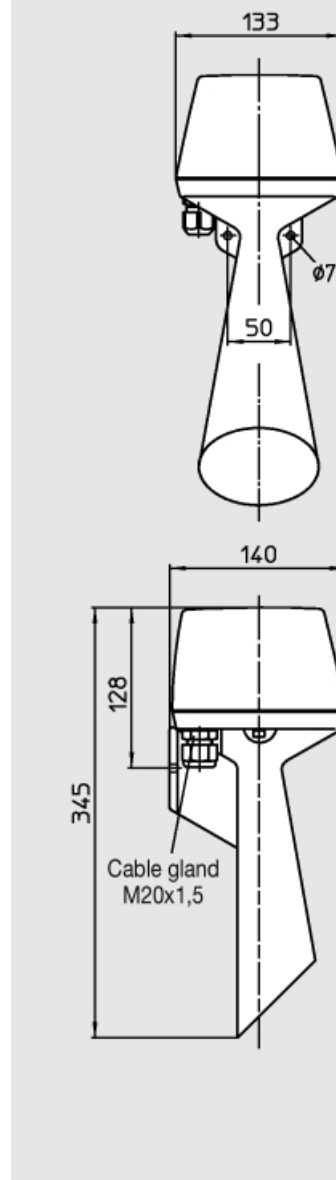
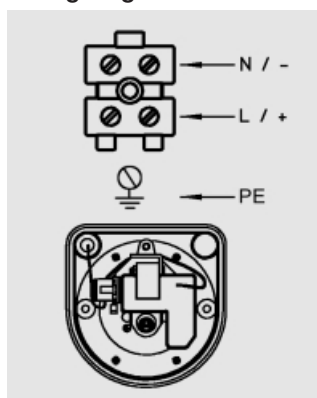
Protection degree IP66

Protection class I

Volume approx.108 dB(A), 1m

Version with Power cable 3 wire, Ø 6,4 mm

Wiring diagram



Order information

Type	Name	Rated voltage U _e	Current consumption	Article no.
Version Temperature range T4				
mHG 11	Signalling hooter without con. cable T4	24 VDC	0,3 A	401050111210
mHG 11	Signalling hooter without con. cable T4	115 VAC	0,15 A	401050111206
mHG 11	Signalling hooter without con. cable T4	230 VAC	0,07 A	401050111207
mHG 11	Signalling hooter with con. cable T4	24 VDC	0,3 A	401050112210
mHG 11	Signalling hooter with con. cable T4	115 VAC	0,15 A	401050112206
mHG 11	Signalling hooter with con. cable T4	230 VAC	0,07 A	401050112207
Version Temperature range T5				
mHG 11	Signalling hooter without con. cable T5	24 VDC	0,3 A	401060111210
mHG 11	Signalling hooter without con. cable T5	115 VAC	0,15 A	401060111206
mHG 11	Signalling hooter without con. cable T5	230 VAC	0,07 A	401060111207
mHG 11	Signalling hooter with con. cable T5	24 VDC	0,3 A	401060112210
mHG 11	Signalling hooter with con. cable T5	115 VAC	0,15 A	401060112206
mHG 11	Signalling hooter with con. cable T5	230 VAC	0,07 A	401060112207

Subject to change without notice · Printout 05/08