

PROTExline



ExII-Signalling Hooter mHP 11

**High volume sound device
for use in zone 1 and 2**

- ▶ Protection degree IP 54
- ▶ Volume approx 108 dB(A)
- ▶ Protection class II
- ▶ Explosion protection:
II 2 G Ex e mb II T5
II 2 G Ex e mb II T4
- ▶ Optional with connecting cable



Application

The signalling hooter mHP 11 was developed for warning, calling and indicating purposes in zone 1 and 2 environment. The hooter produces a sound volume of approx. 108 dB(A) at 1 m distance. It can be delivered in most common voltages.

Optional with permanently installed connecting cable.

This cable must be connected either outside of the hazardous area or in an EEx e or an Ex e terminal box.

Design

The driver system consists of a strong, non-pda rised electromagnet, whose striker hits the diaphragm between 100 and 120 times a second.

All DC versions are equipped with an electronic contact breaker.

Acoustic Signalling Device for zone 1 and 2

The signalling hooter mHP 11 was developed for warning purposes in zone 1 and 2 environment.



Technical specifications

Material	PC, black
Cable cross section	up to 2,5 mm ²
Cable gland	M20 x 1,5
Type of protection	T4 II 2 G Ex emb II T4 -20°C ≤ Ta ≤ +70°C
	T5 II 2 G Ex emb II T5 -20°C ≤ Ta ≤ +50°C II 2 G Ex emb II T5 -20°C ≤ Ta ≤ +60°C

Temperature range T4

AC / DC version -20°C up to +70°C

Temperature range T5

DC-version -20°C up to +60°C

AC-version -20°C up to +50°C

Storage temperature -60°C up to +80°C

Operating utilization Sound outlet position downwards

Operating mode Duty cycle ED 75%

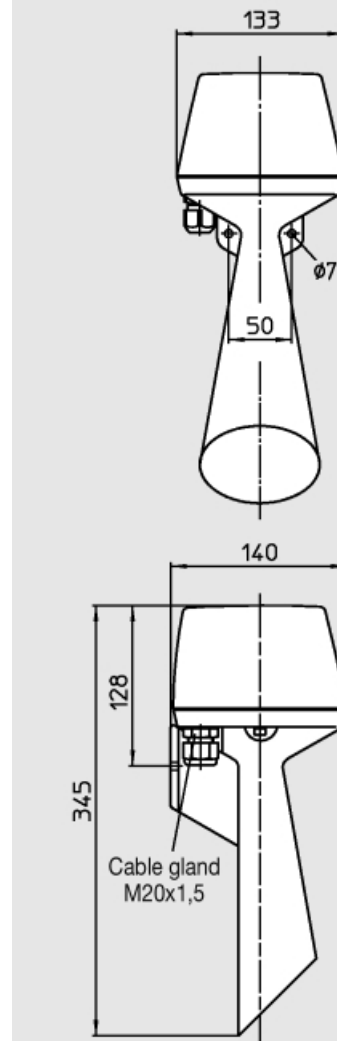
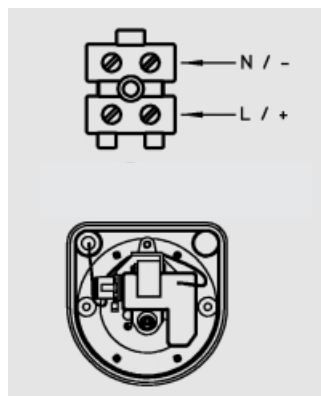
Protection degree IP54

Protection class II

Volume approx. 108 dB(A), 1m

Version with Power cable 2 wire, Ø 6 mm

Wiring diagram



Order information

Type	Name	Rated voltage U _e	Current consumption	Article no.
Temperature range T4				
mHP 11	Signalling hooter without con. cable T4	24 VDC	0,3 A	401010111210
mHP 11	Signalling hooter without con. cable T4	115 VAC	0,15 A	401010111206
mHP 11	Signalling hooter without con. cable T4	230 VAC	0,07 A	401010111207
mHP 11	Signalling hooter with con. cable T4	24 VDC	0,3 A	401010112210
mHP 11	Signalling hooter with con. cable T4	115 VAC	0,15 A	401010112206
mHP 11	Signalling hooter with con. cable T	230 VAC	0,07 A	401010112207
Temperature range T5				
mHP 11	Signalling hooter without con. cable T5	24 VDC	0,3 A	401020111210
mHP 11	Signalling hooter without con. cable T5	115 VAC	0,15 A	401020111206
mHP 11	Signalling hooter without con. cable T5	230 VAC	0,07 A	401020111207
mHP 11	Signalling hooter with con. cable T5	24 VDC	0,3 A	401020112210
mHP 11	Signalling hooter with con. cable T5	115 VAC	0,15 A	401020112206
mHP 11	Signalling hooter with con. cable T5	230 VAC	0,07 A	401020112207

Subject to change without notice · Printout 05/08