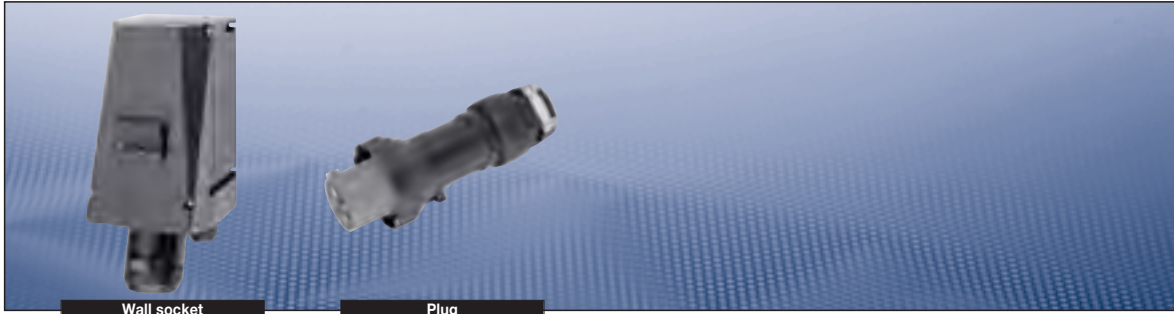


| 63 A 4- and 5-pole up to 690 V |



Technical data

Ex-plugs and receptacles accd. to IEC 60309-1/2

Marking to 94/9/EC	Ⓔ II 2 G Ex de IIC T5/T6 / Ⓔ II 2 D Ex tD A21 IP66 T80 °C
EC-Type Examination Certificate	PTB 00 ATEX 1070
IECEX certification of conformity	IECEX BKI 04.0004
IECEX type of protection	Ex ed IIC T6
Permissible ambient temperature	-20 °C to + 40 °C ¹⁾
Rated voltage	690 V (AC)
Rated current	63 A
Frequency	up to 400 Hz
Rated making/rated breaking capacity AC-3 accd. EN 60947-3	U _e 690 V / I _e 63 A
External back up fuse	without therm. protection: 63 A with therm. protection: 80 A gL (rated current 63 A set to)
Insulation class	I
Degree of protection accd. EN 60529	IP66
Enclosure colour	Black

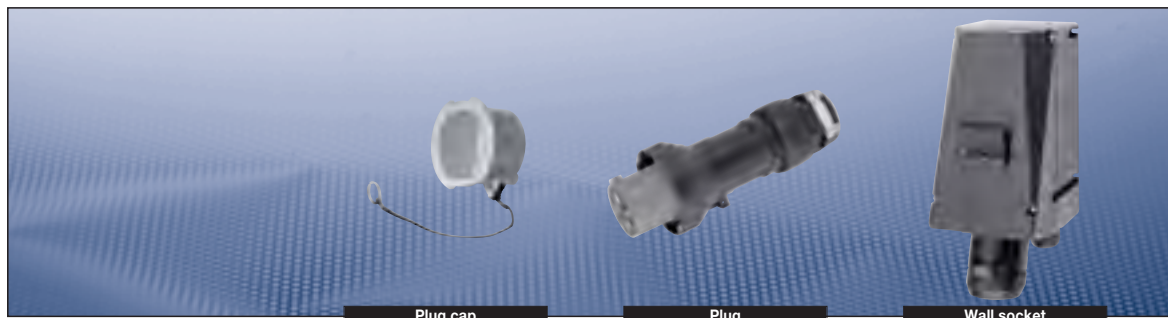
Wall socket

Cable glands/enclosure drilling	1 x M50 Ø 22 - 35 mm, 1 x M50 Ex-screw plug plastic or 2 x M40 metal thread with 2 Ex-screw plug plastic
Connecting terminals	2 x 4 - 25 mm ² / with cable lug 1 x 35 mm ²
Enclosure material	Glass-fibre reinforced polyester

Plug

Cabel glands	Ø 19 - 34 mm
Connecting terminals	1 x 4 - 16 mm ² / pin-cable lug ²⁾ 1 x 25 mm ²
Enclosure material	Polyamide

¹⁾ extended temperature range on request



Plug cap

Plug

Wall socket

Ordering details

Voltage	h	Type	Auxiliary contact	Cable entries	Weight approx.	Order No.
Type 63 A 4-pole						
200-250 V		Wall socket	–	KU	8.1 kg	GHG 514 4409 R0001
		Wall socket	–	ME	8.2 kg	GHG 514 4409 R3001
		Plug	–	–	0.75 kg	GHG 514 7409 R0001
380-415 V		Wall socket	–	KU	8.1 kg	GHG 514 4406 R0001
		Wall socket	–	ME	8.2 kg	GHG 514 4406 R3001
		Wall socket	yes	KH	8.2 kg	GHG 514 4406 R0501
		Plug	–	–	0.75 kg	GHG 514 7406 R0001
480-500 V		Wall socket	–	KU	8.1 kg	GHG 514 4407 R0001
		Wall socket	–	ME	8.2 kg	GHG 514 4407 R3001
		Wall socket	yes	KH	8.2 kg	GHG 514 4407 R0501
		Plug	–	–	0.75 kg	GHG 514 7407 R0001
600-690 V		Wall socket	–	KU	8.1 kg	GHG 514 4405 R0001
		Wall socket	–	ME	8.1 kg	GHG 514 4405 R3001
		Wall socket	yes	KH	8.2 kg	GHG 514 4405 R0501
		Plug	–	–	0.75 kg	GHG 514 7405 R0001

Type 63 A 5-pole						
200-250 V		Wall socket	–	KU	8.1 kg	GHG 514 4506 R0001
380-415 V		Wall socket	–	ME	8.1 kg	GHG 514 4506 R3001
		Wall socket	yes	KH	8.2 kg	GHG 514 4506 R0501
		Plug	–	–	0.75 kg	GHG 514 7506 R0001

Accessories

Plug cap for plugs

Type	OU	Order No.
Plug cap 4-pole/5-pole	1	GHG 510 1901 R0006
Pin cable lug 25 mm ²	5	GHG 510 1916 R0001

Other voltage ranges and versions available on request.

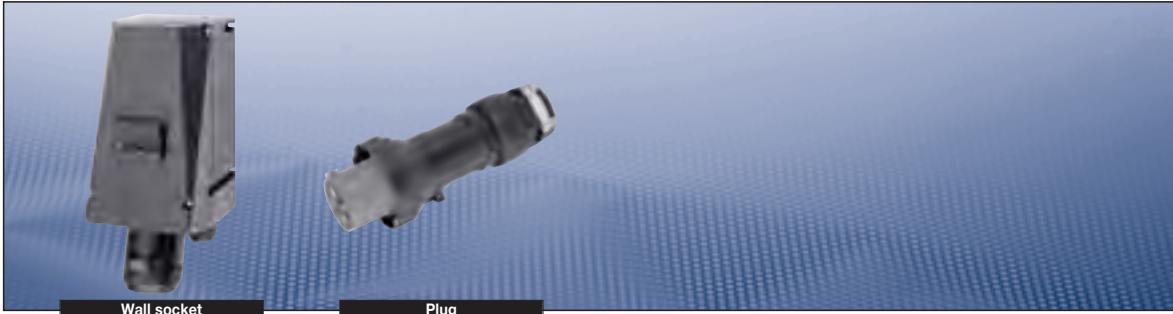
KU = 1 x plastic cable glands M40 for Ø 17-28 mm, 1 x M40 Ex-screw plug plastic

KH = 1 x plastic cable glands M40 for Ø 16-28 mm,

1 x plastic cable glands M25 for Ø 8 - 17 mm, with auxiliary contact

ME = 2 x metal thread M32 with Ex-screw plug plastic

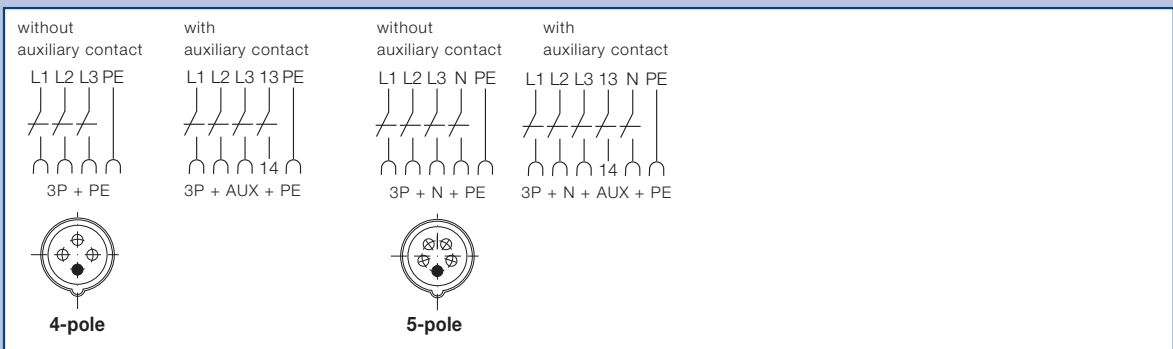
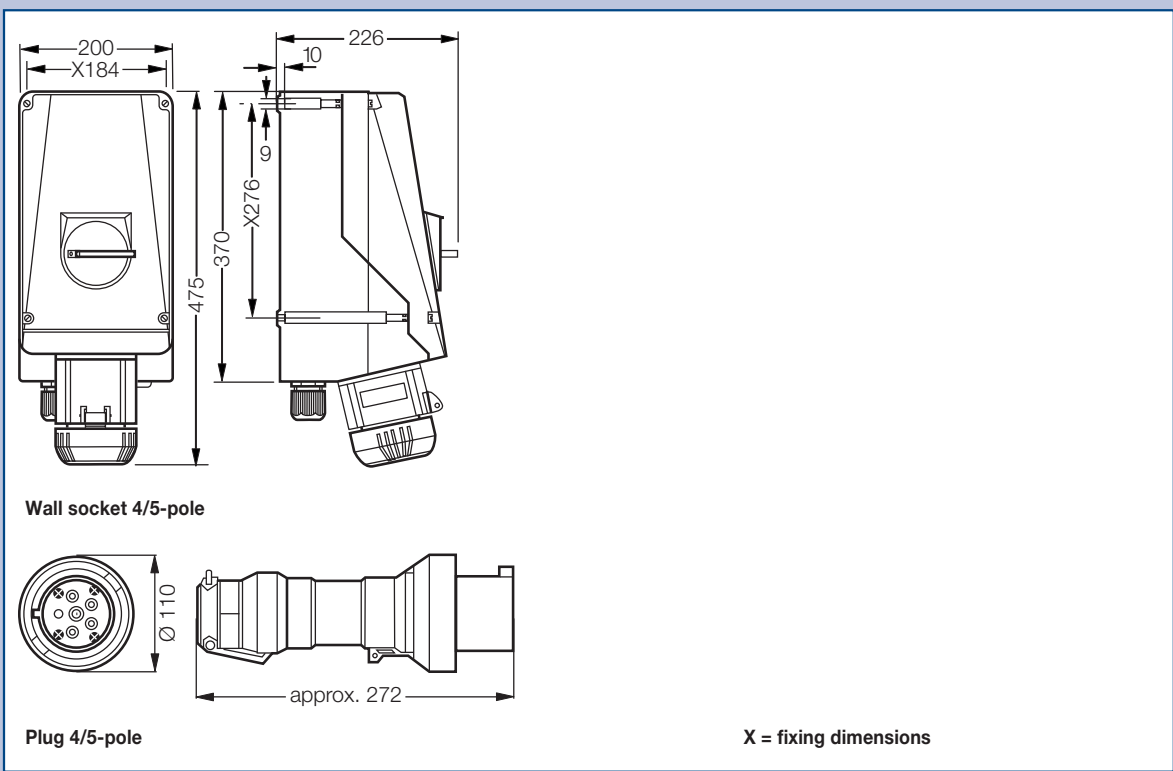
| 63 A 4- and 5-pole up to 690 V |



Wall socket

Plug

Dimension drawing | Wiring diagram



Dimensions in mm