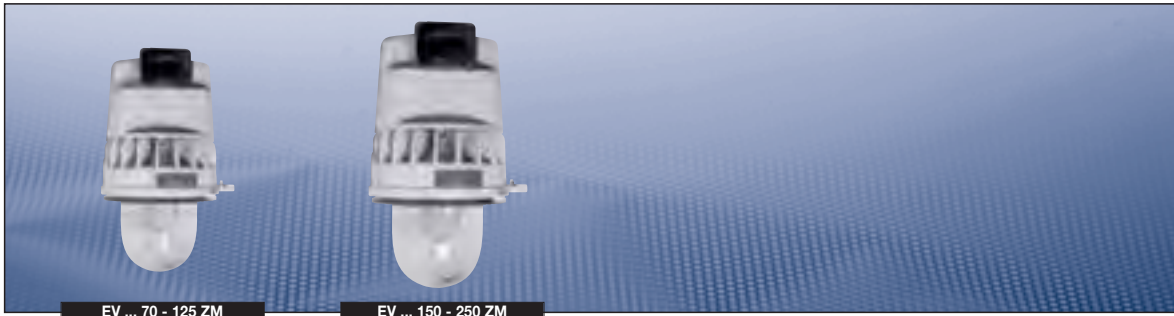


Ex-Pendant light fitting



Technical data

EVM EVS EVH	
Marking to 94/9/EC (new standard – applied for)	⊕ II 2 G Ex de IIC T ¹⁾ ⊕ II 2 D Ex tD A21 IP66 T ¹⁾ °C
EC-Type Examination Certificate	LOM 02 ATEX 2012 X
IECEX Certificate of Conformity	IECEX BK1 07.0031X
Marking acc. to IECEx	Ex de IIC T ¹⁾ Ex tD A21 IP67 T ¹⁾
Permissible ambient temperature	-20 °C to +55 °C -45 °C to +55 °C (option)
Rated voltage	230 V AC ²⁾
Rated current	¹⁾
Frequency	50 Hz ²⁾
Power factor cos φ	> 0.85
Circuit	electromagnetic circuit
Connecting terminals	3 x (2 x 2.5 mm ²); PE extern. 2 x 6 mm ²
Insulation class	I
Lamp cap	E 27 (EV. 70 ... 125), E 40 (EV 150 ... 250)
Light efficiency in operation	76 %
Degree of protection accd. EN 60529	IP67
Cable glands/Gland plates/Enclosure drilling	2 x M25 threads (Ex-e), one plugged
Dimensions (L x W x H)	480 mm x Ø 245 mm (EV.. 70-125 ZM) 560 mm x Ø 300 mm (EV.. 150-250 ZM)
Weight	see ordering information
Type of mounting	ceiling mounting
Enclosure material	light alloy
Enclosure colour	grey
Protective cover/protective bowl	borosilicate glass

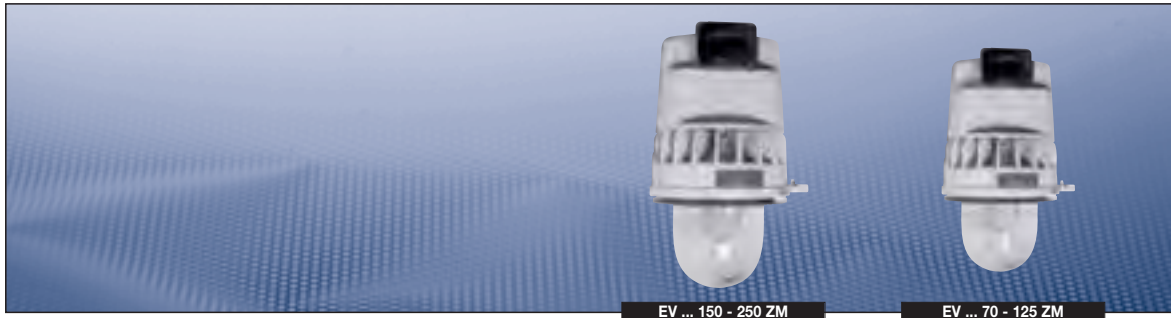
¹⁾ see ordering details

²⁾ other voltages or frequencies on request

Additional lamp data

Lamp	Luminous flux ³⁾	Power	Type	Temperature class II 2 G		Max. surface temp. II 2 D	
				T _{ambient ≤ 40 °C}	T _{ambient > 40 °C}	T _{ambient ≤ 40 °C}	T _{ambient > 40 °C}
High pressure mercury vapor HME	6300 lm	125 W	EVM 125 ZM	T4	T4	T115°C	T130°C
High pressure mercury vapor HME	13000 lm	250 W	EVM 250 ZM	T4	T3	T125°C	T140°C
High pressure sodium lamp HSE	5600 lm	70 W	EVS 70 ZM	T5	T4	T95°C	T110°C
High pressure sodium lamp HSE	14000 lm	150 W	EVS 150 ZM	T5	T4	T90°C	T105°C
High pressure sodium lamp HSE	25000 lm	250 W	EVS 250 ZM	T4	T4	T115°C	T130°C
High pressure Metal Halide HIE	17000 lm	250 W	EVH 250 ZM	T4	T3	T125°C	T140°C

³⁾ depends on used lamps



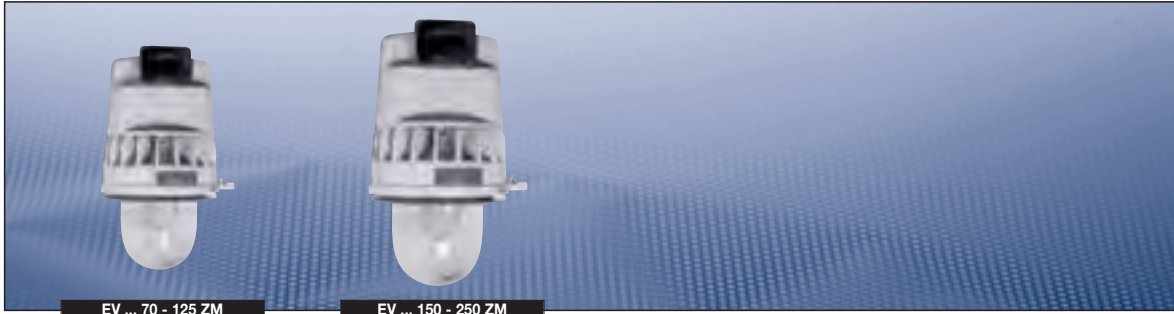
Ordering details

Type	Lamp	Rated current	Cable gland Ex-e for cable Ø	Weight kg	Order No.
(T ambient -20 °C to +55 °C)					
EVM 125 ZM	HME 125W	1.10 A	9 -14 mm	14.1	NOR 000 115 110 079
EVM 125 ZM	HME 125W	1.10 A	-	14.0	NOR 000 115 110 879
EVM 250 ZM	HME 250W	2.10 A	9 -14 mm	22.4	NOR 000 115 110 080
EVM 250 ZM	HME 250W	2.10 A	-	22.5	NOR 000 115 110 881
EVS 70 ZM	HSE 70W	0.35 A	9 -14 mm	14.1	NOR 000 115 110 086
EVS 70 ZM	HSE 70W	0.35 A	-	14.0	NOR 000 115 110 880
EVS 150 ZM	HSE 150W	0.96 A	9 -14 mm	22.4	NOR 000 115 110 087
EVS 150 ZM	HSE 150W	0.96 A	-	22.4	NOR 000 115 110 883
EVS 250 ZM	HSE 250W	1.70 A	9 -14 mm	22.4	NOR 000 115 110 088
EVS 250 ZM	HSE 250W	1.70 A	-	22.4	NOR 000 115 110 882
EVH 250 ZM	HIT 250W	1.80 A	9 -14 mm	22.4	NOR 000 115 110 046
EVH 250 ZM	HIT 250W	1.80 A	-	22.4	NOR 000 115 110 945

(T ambient -45 °C to +55 °C)					
EVM 125 ZM	HME 125 W	0.96 A	-	14.0	NOR 000 115 110 884
EVM 250 ZM	HME 250 W	0.96 A	-	22.4	NOR 000 115 110 885
EVS 70 ZM	HSE 70 W	1.70 A	-	14.0	NOR 000 115 110 886
EVS 150 ZM	HSE 150 W	1.70 A	-	22.4	NOR 000 115 110 887
EVS 250 ZM	HSE 250 W	1.80 A	-	22.4	NOR 000 115 110 888
EVH 250 ZM	HIT 250 W	1.80 A	-	22.4	NOR 000 115 110 889

Lamps and fixing accessories are not included

Ex-Pendant light fitting

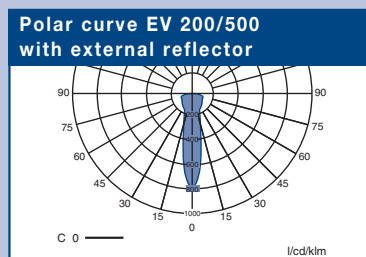
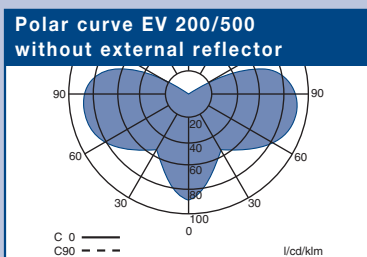
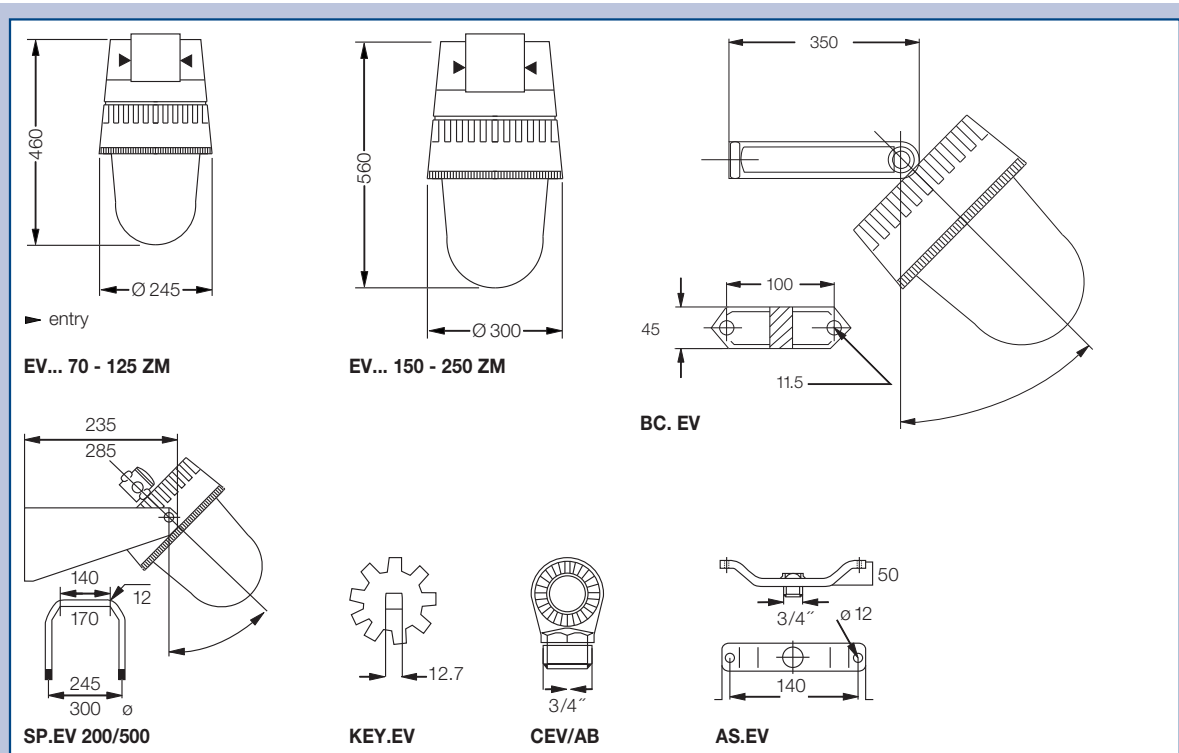


Accessories

EVM, EVS, EVH			
Type	Content	Application	Order No.
REP 200	Space glass	EV.. 70-125 ..	NOR 000 005 110 969
REP 500	Spare glass	EV.. 150-250 ..	NOR 000 005 110 977
G. EV 200	Wire guard	EV.. 70-125 ..	NOR 000 005 110 860
G. EV 500	Wire guard	EV.. 150-250 ..	NOR 000 005 110 878
PC. EV 200	External reflector	EV.. 70-125 ..	NOR 000 005 110 894
PC. EV 500	External reflector	EV.. 150-250 ..	NOR 000 005 110 901
KEY, EV	Lamp key	EV..	NOR 000 005 110 886
CEV/AB	Eye bolt	EV..	NOR 000 005 110 852
AS. EV	Ceiling bracket, adjustable	EV..	NOR 000 005 110 951
SPU. EV Ø 44 – 64 mm	Wall mounting barcket	EV..	NOR 000 005 110 828
BC. EV	Pole mounting bracket	EV..	NOR 000 005 110 836
SP. EV 200	Wall mounting bracket	EV 70..-125 ..	NOR 000 005 110 935
SP. EV 500	Wall mounting bracket	EV 150..-250 ..	NOR 000 005 110 943

Metal cable glands see page 8.10...

Dimensions drawing



Dimensions in mm